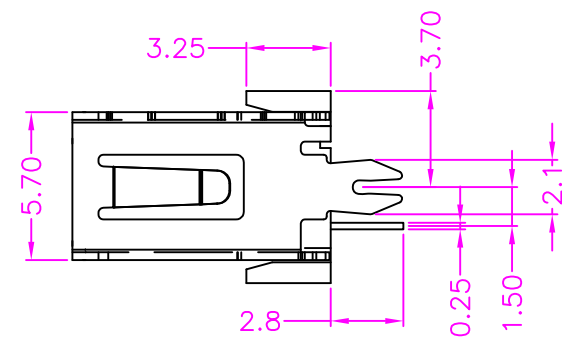
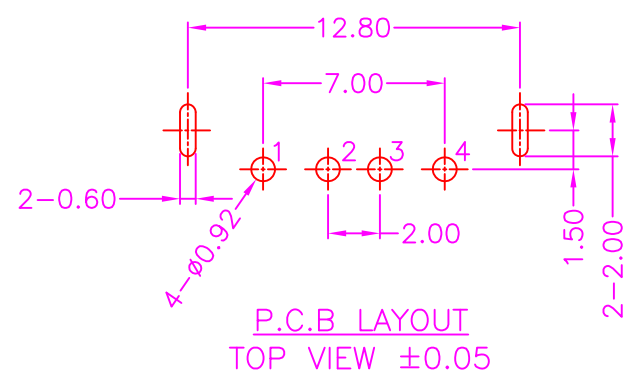


**MATERIALS**  
 HOUSING: THERMOPLASTIC (UL 94V-0)  
 SHELL: COPPER ALLOY OR SUS, NICKEL PLATING  
 TERMINAL: COPPER ALLOY, GOLD PLATED ON CONTACT AREA  
 TIN PLATING ON SOLDER TAIL

**SPECIFICATION**  
 CURRENT RATING: 1 AMP MAX  
 DIELECTRIC WITHSTANDING: 500V AC FOR ONE MINUTE  
 CONTACT RESISTANCE: 30m OHMS MAX  
 INSULATION RESISTANCE: 1000M OHMS MIN AT DC 500V  
 OPERATION TEMPERATURE: -25°C~+85°C



**PIN DEFINITION**

PIN	NAME	DESCRIPTION
1	Vcc	+5V
2	D-	Data-
3	D+	Data+
4	GND	GROUND

**PART NUMBER:**  
 2USAA - 0 4 \* T \* - 1 1 4 \*

**SERIES** — NO. OF POS. — CONTACT PLATED OPTION — HOUSING COLOR OPTION — TRAY PACKAGE — SHELL MATERIALS OPTION — TIN PLATING ON SOLDER TAIL

1: GOLD FLASH  
 3: 3u" GOLD  
 5: 5u" GOLD  
 7: 15u" GOLD  
 9: 30u" GOLD

BLANK: BLACK  
 W: WHITE

BLANK: COPPER ALLOY  
 S: SUS

**Cyberconn Technology Co., Ltd.**  
 www.cyberconn.com.tw Tel:+886-3-4951314

TOLERANCES	TITLE	USB CONNECTOR SERIES				
X.X ±0.3 X.XX ±0.2 X.XXX ±0.1 Angle ±5°		USB A TYPE, PCB MOUNT, VERTICAL, METAL SHIELD FEMALE, SHORT BODY				
	DRAWN BY	CHECKED BY	APPROVED BY			
	Janice	Lion	Benson			
10134	UNIT	SCALE	SIZE	DRAW NO.	REV.	Sheet
	MM	NONE	A4	2USAA-004	A	1/1

A	RELEASE	2013.11.7
REV.	DESCRIPTION	DATE