

TABLE

	LED COLOR OPTION			
	Left LED		Right LED	
	+11,-12	-11,+12	+13,-14	-13,+14
A	Green	-	Yellow	-
B	Yellow	-	Green	-
C	Green	-	Green	-
D	-	Green	-	Yellow
E	-	Yellow	-	Green
F	Yellow	-	Orange	Green
G	Orange	Green	Yellow	-
H	Green	Yellow	Green	-
J	Green	Orange	Yellow	-
K	Green	Yellow	Green	Yellow
L	Green	-	Green	Yellow
M	Yellow	-	Green	Orange
N	Green	Orange	Green	-
P	-	Green	Yellow	Green
Q	Yellow	-	-	Green
R	Green	-	Orange	-
S	Green	-	-	Yellow
T	Green	Yellow	Green	Orange

MATERIALS
 HOUSING: THERMOPLASTIC (UL 94V-0), BLACK
 SHELL: COOPER ALLOY, NICKEL PLATING
 TERMINAL: COPPER ALLOY, GOLD PLATED ON CONTACT AREA
 TIN PLATING ON SOLDER TAIL

SPECIFICATION
 CURRENT RATING: 1.5 AMP MAX
 DIELECTRIC WITHSTANDING: 500V AC FOR ONE MINUTE
 CONTACT RESISTANCE: 30m OHMS MAX
 INSULATION RESISTANCE: 1000M OHMS MIN AT DC 500V
 OPERATION TEMPERATURE: -0°C~+70°C

PART NUMBER:
3MJDK - 1 4 * T - 1 1 9 *

SERIES — 1X4 PORT — LED COLOR OPTION REF. TABLE — TRAY PACKAGE — TIN PLATING ON SOLDER TAIL

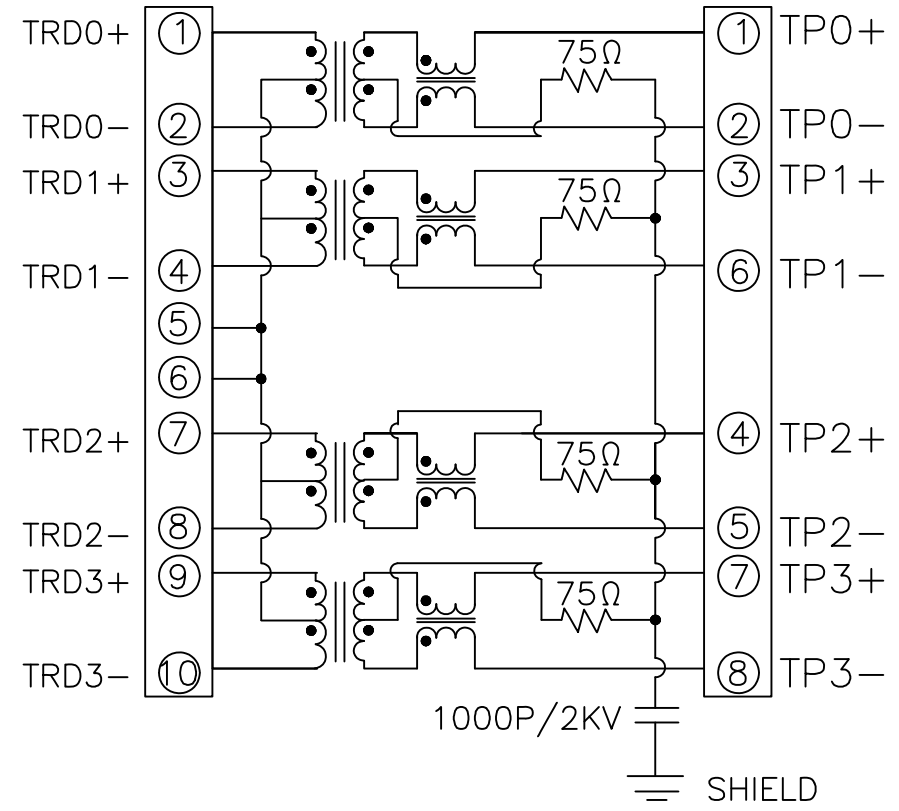
CONTACT PLATED OPTION
 1: GOLD FLASH
 3: 3u" GOLD
 5: 5u" GOLD
 7: 15u" GOLD
 9: 30u" GOLD
 11: 6u" GOLD

Cyberconn Technology Co., Ltd.
 www.cyberconn.com.tw Tel:+886-3-4951314

TOLERANCES X.X ±0.3 X.XX ±0.2 X.XXX±0.1 Angle ±5°	MODULAR JACK SERIES					
	TITLE 1x4 GANG RJ45, PCB MOUNT, SIDE ENTRY, METAL SHIELD WITH SPRING & LED & TRANSFORMER GIGA BIT					
	DRAWN BY	CHECKED BY	APPROVED BY			
	<i>Tina</i>	<i>Lion</i>	<i>Benson</i>			
10025	UNIT MM	SCALE NONE	SIZE A4	DRAW NO. 3MJDK-009	REV. A	Sheet 1/2

A	RELEASE	2014.9.9
REV.	DESCRIPTION	DATE

Type G2



ELECTRICAL SPECIFICATIONS @25°C

TURNS RATIO(±2%)		OCL (uH MIN.) @100 KHz/0.1V WITH 8mA DC BIAS	CRASS TALK (dB MIN.)				HI-POT 1.0 mA (V)	
TX	RX		0.5-10 MHz	30 MHz	50 MHz	100 MHz	WITHOUT CAPACITANCE	WITH CAPACITANCE
1CT:1CT	1CT:1CT	350	-50	-40	-35	-30	1500 AC	2250 DC

CONTINUE

INSERTION LOSS (dB MAX.)		RETURN LOSS (dB MIN.) @ LOAD 100 OHM					CMR (dB MIN.)
1-100 MHz	100-125 MHz (10/100/1000)	1-30 MHz	30-50 MHz	60 MHz	60-80 MHz	80-100 MHz (10/100/1000)	1-100 MHz
-1.0	-1.2	-18	-16	-14	-12	-10	-30

Cyberconn Technology Co., Ltd.
www.cyberconn.com.tw Tel:+886-3-4951314

TOLERANCES	MODULAR JACK SERIES					
X.X ±0.3 X.XX ±0.2 X.XXX±0.1 Angle ±5°	TITLE	1x4 GANG RJ45, PCB MOUNT, SIDE ENTRY, METAL SHIELD WITH SPRING & LED & TRANSFORMER GIGA BIT				
	DRAWN BY	CHECKED BY		APPROVED BY		
	<i>Tina</i>	<i>Lion</i>		<i>Benson</i>		
UNIT	SCALE	SIZE	DRAW NO.	REV.	Sheet	
10025	MM	NONE	A4	3MJDK-009	A 2/2	

A	RELEASE	2014.9.9
REV.	DESCRIPTION	DATE