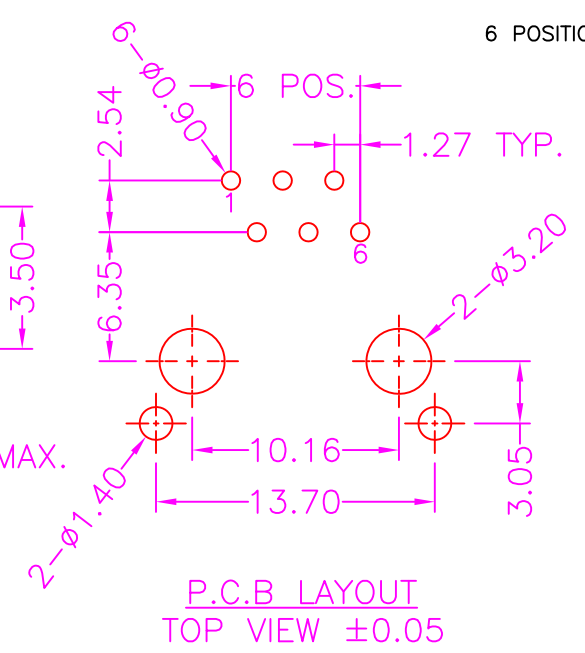
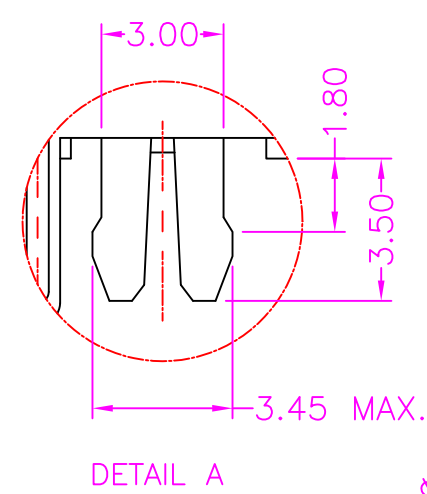
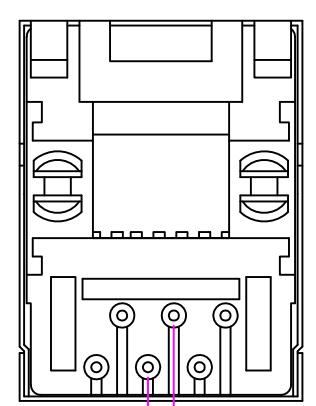


MATERIALS
 HOUSING: THERMOPLASTIC (UL 94V-0), BLACK
 SHELL: COPPER ALLOY, NICKEL PLATING
 TERMINAL: $\phi 0.45\text{mm}$ COPPER ALLOY, GOLD PLATED

SPECIFICATION
 CURRENT RATING: 1.5 AMP MAX
 DIELECTRIC WITHSTANDING: 500V AC FOR ONE MINUTE
 CONTACT RESISTANCE: 30m OHMS MAX
 INSULATION RESISTANCE: 1000M OHMS MIN AT DC 500V
 OPERATION TEMPERATURE: $-40^{\circ}\text{C} \sim +85^{\circ}\text{C}$

PART NUMBER:
3MJBE - 6 6 * 1 - 1 1 3

SERIES ——— 6 POSITION & 6 CONTACT ——— TRAY PACKAGE
 FRONT PCB STOP
 CONTACT PLATED OPTION
 1: GOLD FLASH
 3: 3u" GOLD
 5: 5u" GOLD
 7: 15u" GOLD
 9: 30u" GOLD
 11: 6u" GOLD



P.C.B. LAYOUT TOP VIEW ± 0.05

Cyberconn Technology Co., Ltd.
 www.cyberconn.com.tw Tel:+886-3-4951314

TOLERANCES	MODULAR JACK SERIES					
X.X ± 0.3 X.XX ± 0.2 X.XXX ± 0.1 Angle $\pm 5^{\circ}$	TITLE RJ12, PCB MOUNT, SIDE ENTRY, METAL SHIELD, FRONT PCB STOP WITH SPRING					
	DRAWN BY	CHECKED BY		APPROVED BY		
	<i>Tina</i>	<i>Lion</i>		<i>Benson</i>		
	UNIT	SCALE	SIZE	DRAW NO.	REV.	Sheet
	10058	MM	NONE	A4	3MJBE-003	A 1/1

A	RELEASE	2014.8.4
REV.	DESCRIPTION	DATE