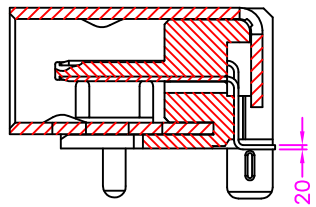
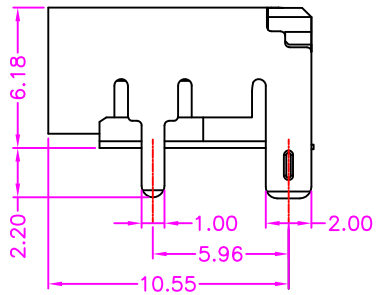
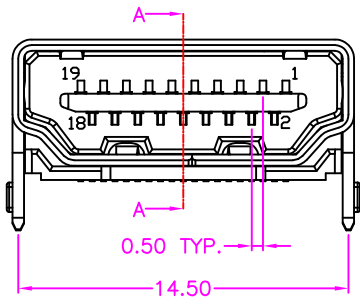


MATERIALS

HOUSING: HI-TEMP. PLASTIC (UL 94V-0)
 SHELL: COPPER ALLOY, NICKEL PLATING
 TERMINAL: COPPER ALLOY, GOLD PLATED ON CONTACT AREA
 TIN PLATING ON SOLDER TAIL

SPECIFICATION

CURRENT RATING: 0.5 AMP MAX
 DIELECTRIC WITHSTANDING: 500V AC FOR ONE MINUTE
 CONTACT RESISTANCE: 30m OHMS MAX
 INSULATION RESISTANCE: 100M OHMS MIN AT DC 500V
 OPERATION TEMPERATURE: -20°C~+85°C



SECTION A-A

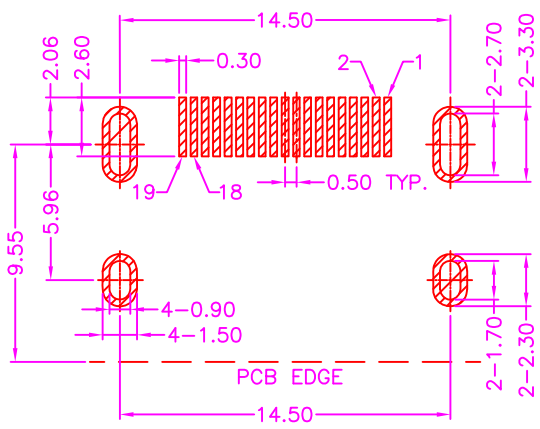
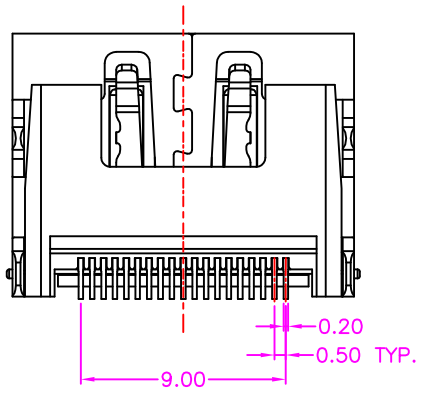
PART NUMBER:

2HDBA - 1 9 * T - 1 2 5

SERIES ——— TRAY PACKAGE
 NO. OF POS. ——— TIN PLATING ON SOLDER TAIL

CONTACT PLATED OPTION

- 1: GOLD FLASH
- 3: 3u" GOLD
- 5: 5u" GOLD
- 7: 15u" GOLD
- 9: 30u" GOLD



P.C.B LAYOUT TOP VIEW ±0.05

Cyberconn Technology Co., Ltd. <small>www.cyberconn.com.tw Tel+886-3-4951314</small>						
TOLERANCES		TITLE				
X.X ±0.3		HDMI CONNECTOR SERIES				
X.XX ±0.2		HDMI, PCB MOUNT, R/A SMT, METAL SHIELD, FEMALE				
X.XXX ±0.1		DRAWN BY		CHECKED BY		APPROVED BY
Angle ±5°		Tina		Lion		Benson
		UNIT	SCALE	SIZE	DRAW NO.	REV.
10136		MM	NONE	A4	2HDBA-005	A
					Sheet	
					1/1	

A	RELEASE	2014.10.22
REV.	DESCRIPTION	DATE