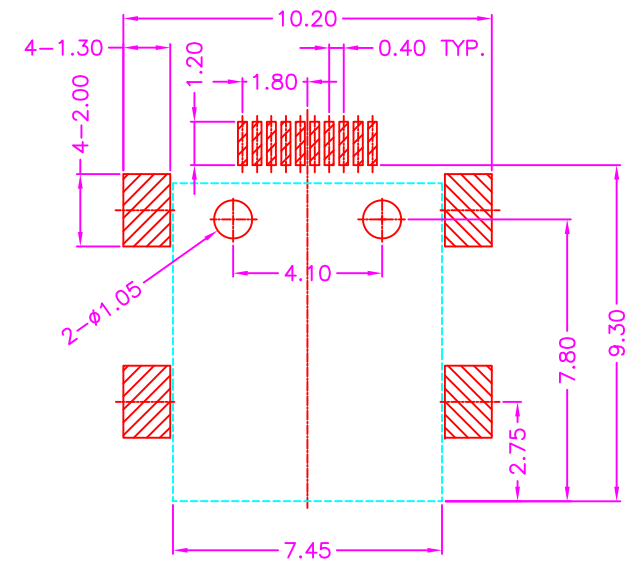
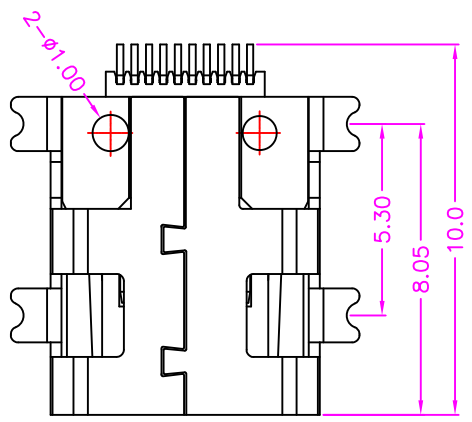
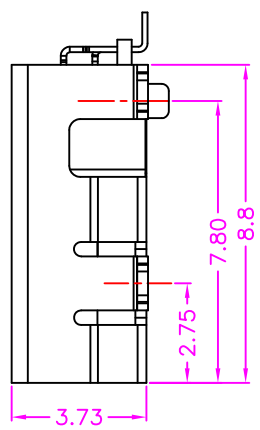
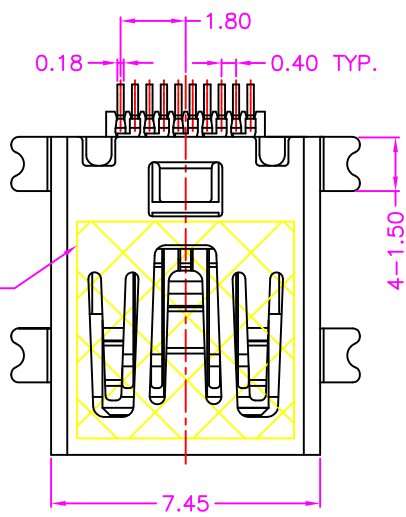


PART NUMBER:
2USNG - 1 0 * - 1 2 4
 SERIES — NO. OF POS. — TAPE REEL PACKAGE

CONTACT PLATED OPTION

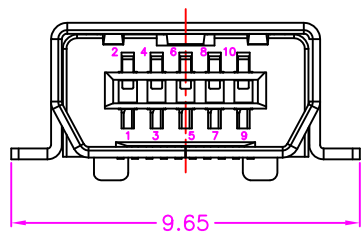
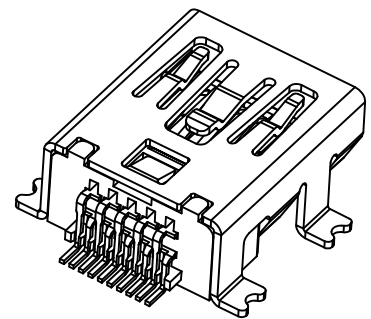
- 1: GOLD FLASH
- 3: 3u" GOLD
- 5: 5u" GOLD
- 6: 10u" GOLD
- 7: 15u" GOLD
- 9: 30u" GOLD



P.C.B LAYOUT
 TOP VIEW ±0.05

MATERIALS

- HOUSING: LCP (UL 94V-0)
- SHELL: COPPER ALLOY, NICKEL PLATING
- TERMINAL: COPPER ALLOY, GOLD PLATED



Cyberconn Technology Co., Ltd.
 www.cyberconn.com.tw Tel:+886-3-4951314

TOLERANCES	USB CONNECTOR SERIES				
X.X ±0.3	TITLE MINI USB, PCB MOUNT, SMT TYPE, METAL SHIELD FEMALE WITH POST, 10PIN				
X.XX ±0.2	DRAWN BY	CHECKED BY	APPROVED BY		
X.XXX ±0.1	<i>Tina</i>	<i>Lion</i>	<i>Benson</i>		
Angle ±5°	UNIT	SCALE	SIZE	DRAW NO.	REV. Sheet
	10006&10057	MM	NONE	A4 2USNG-004	A 1/1

A	RELEASE	2014.7.7
REV.	DESCRIPTION	DATE