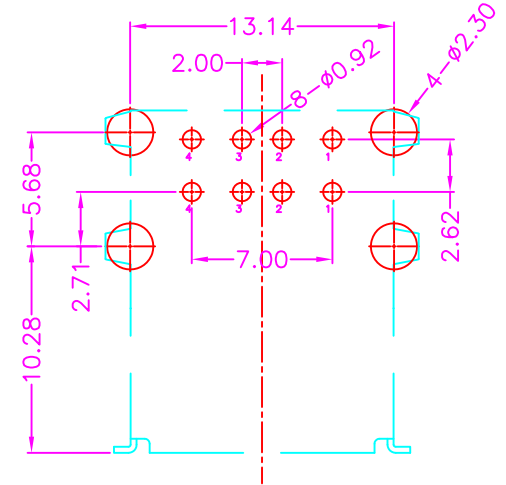
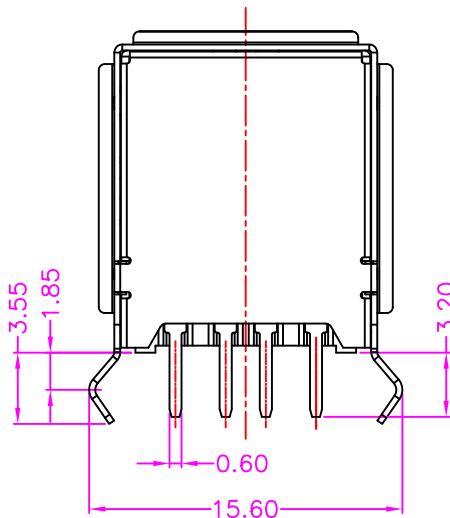
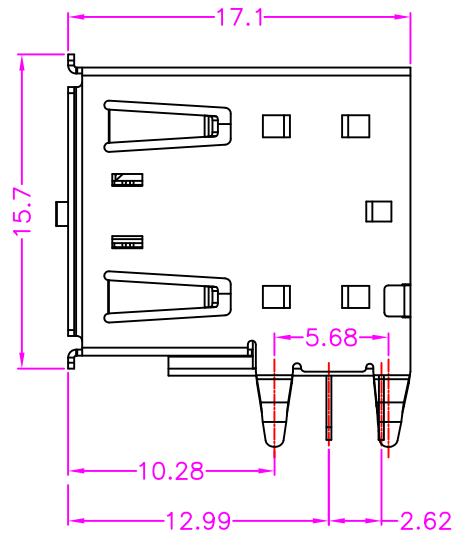
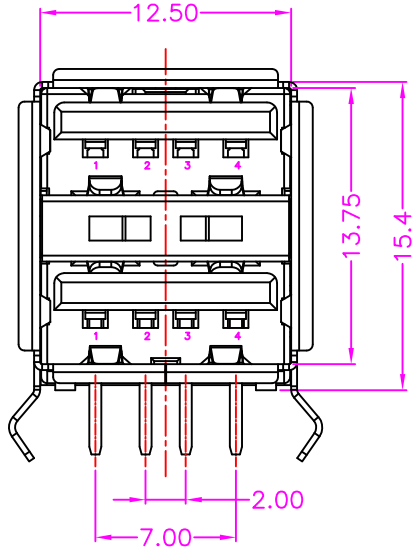


MATERIALS

HOUSING: THERMOPLASTIC (UL 94V-0)
 FRONT SHELL: COPPER ALLOY, NICKEL PLATING
 REAR SHELL: SPCC, NICKEL PLATING
 TERMINAL: COPPER ALLOY, GOLD PLATED ON CONTACT AREA
 TIN PLATING ON SOLDER TAIL

SPECIFICATION

CURRENT RATING: 1 AMP MAX
 DIELECTRIC WITHSTANDING: 500V AC FOR ONE MINUTE
 CONTACT RESISTANCE: 30m OHMS MAX
 INSULATION RESISTANCE: 1000M OHMS MIN AT DC 500V
 OPERATION TEMPERATURE: -25°C~+85°C



P.C.B LAYOUT
TOP VIEW ±0.05

PART NUMBER:

2USCC - 0 8 * T - 1 1 4 *

SERIES: 2USCC
 NO. OF POS.: 08
 CONTACT PLATED OPTION: *
 TRAY PACKAGE: T
 HOUSING COLOR OPTION: 1 (BLANK: BLACK, W: WHITE)
 TIN PLATING ON SOLDER TAIL: 1
 4: 14 * (CONTACT PLATED OPTION)

CONTACT PLATED OPTION:
 1: GOLD FLASH
 3: 3u" GOLD
 5: 5u" GOLD
 6: 10u" GOLD
 7: 15u" GOLD
 9: 30u" GOLD

Cyberconn Technology Co., Ltd.
 www.cyberconn.com.tw Tel: +886-3-4951314

TOLERANCES	TITLE	USB CONNECTOR SERIES				
X.X ±0.3 X.XX ±0.2 X.XXX ±0.1 Angle ±5°		STACKED 2x1 USB A TYPE, PCB MOUNT, R/A METAL SHIELD, FEMALE				
	DRAWN BY	CHECKED BY		APPROVED BY		
	Janice	Lion		Benson		
UNIT	SCALE	SIZE	DRAW NO.	REV.	Sheet	
10006&10057	MM	NONE	A4	2USCC-004	A 1/1	

A	RELEASE	2013.04.23
REV.	DESCRIPTION	DATE