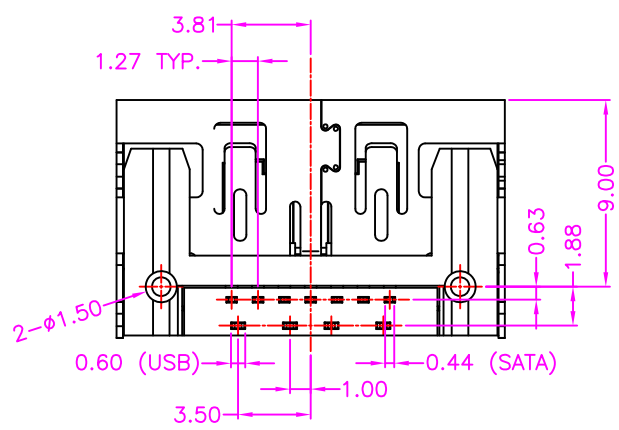
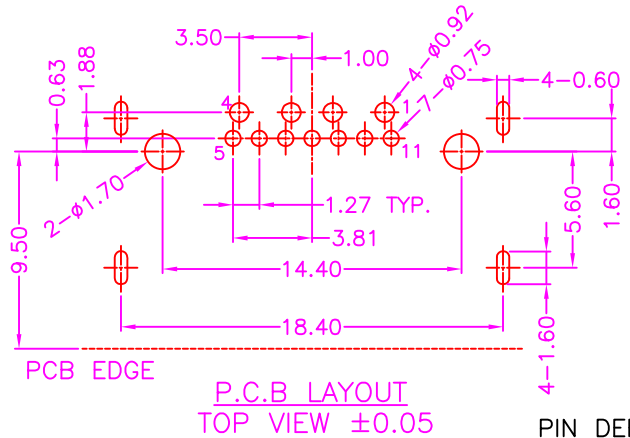
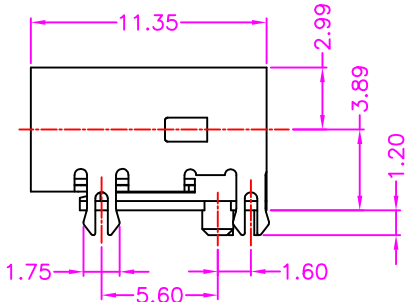
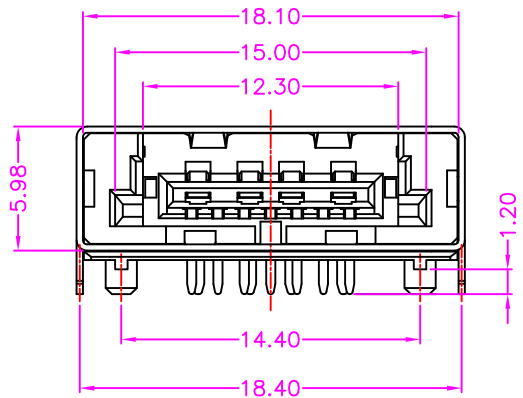


**MATERIALS**

HOUSING: HI-TEMP. PLASTIC (UL 94V-0)  
 SHELL: COPPER ALLOY, NICKEL PLATING  
 TERMINAL: COPPER ALLOY, GOLD PLATED ON CONTACT AREA  
 TIN PLATING ON SOLDER TAIL



**PART NUMBER:**

2EUCH - 1 1 \* T - 1 2 4 \*

SERIES  
 NO. OF POS.  
 CONTACT PLATED OPTION  
 1: GOLD FLASH  
 3: 3u" GOLD  
 5: 5u" GOLD  
 6: 10u" GOLD  
 7: 15u" GOLD  
 9: 30u" GOLD

MYLAR OPTION  
 BLANK: WITH MYLAR  
 N: WITHOUT MYLAR

TAPE REEL PACKAGE  
 TIN PLATING ON SOLDER TAIL

**PIN DEFINITION**

USB		ESATA	
NAME	TYPE	NAME	TYPE
P1	VBUS	P5	GND
P2	D-	P6	A+
P3	D+	P7	A-
P4	GND	P8	GND
		P9	B-
		P10	B+
		P11	GND

**Cyberconn Technology Co., Ltd.**  
 www.cyberconn.com.tw Tel: +886-3-4951314

TOLERANCES	E-SATA + USB CONNECTOR SERIES				
X.X ±0.3	TITLE 7PIN E-SATA + 4PIN USB, PCB MOUNT, REVERSE TYPE				
X.XX ±0.2	R/A, METAL SHIELD, FEMALE WITH POST & BOARDLOCK				
X.XXX ±0.1	DRAWN BY	CHECKED BY	APPROVED BY		
Angle ±5°	Janice	Lion	Benson		
	UNIT	SCALE	SIZE	DRAW NO.	REV. Sheet
	10001	MM	NONE	A4 2EUCH-004	A 1/1

A	RELEASE	2013.6.24
REV.	DESCRIPTION	DATE