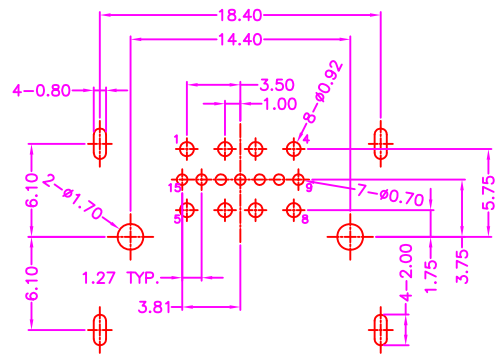
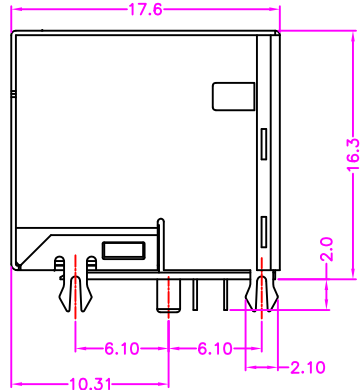
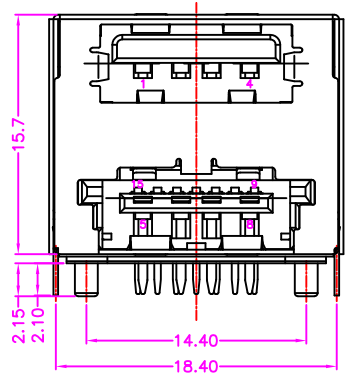


### MATERIALS

HOUSING: HI-TEMP. PLASTIC (UL 94V-0), BLACK  
 SHELL: STAINLESS STEEL, NICKEL PLATING  
 TERMINAL: COPPER ALLOY, GOLD PLATED ON CONTACT AREA  
 TIN PLATING ON SOLDER TAIL



### PIN DEFINITION

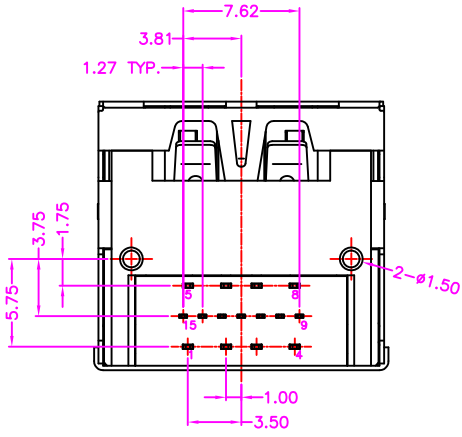
USB			E-SATA		
PIN No.	NAME	TYPE	PIN No.	NAME	TYPE
1	P1	VBUS	9	P9	GND
2	P2	D-	10	P10	A+
3	P3	D+	11	P11	A-
4	P4	GND	12	P12	GND
5	P5	VBUS	13	P13	B-
6	P6	D-	14	P14	B+
7	P7	D+	15	P15	GND
8	P8	GND			

PART NUMBER:  
 2EUSD - 1 5 \* T - 1 1 0

SERIES — NO. OF POS. — TIN PLATING ON SOLDER TAIL — TRAY PACKAGE

### CONTACT PLATED OPTION

- 1: GOLD FLASH
- 3: 3u" GOLD
- 5: 5u" GOLD
- 6: 10u" GOLD
- 7: 15u" GOLD
- 9: 30u" GOLD



A	RELEASE	2011.11.14
REV.	DESCRIPTION	DATE

**Cyberconn Technology Co., Ltd.**  
 www.cyberconn.com.tw Tel:+886-3-4951314

TOLERANCES

X.X ±0.3	TITLE	E-SATA + USB CONNECTOR SERIES				
X.XX ±0.2		STACKED SINGLE 4PIN USB & COMBO 7PIN E-SATA + 4PIN USB , PCB MOUNT, R/A, METAL SHIELD, FEMALE WITH POST & BOARDLOCK				
X.XXX ±0.1		DRAWN BY	CHECKED BY	APPROVED BY		
Angle ±5°		<i>Janice</i>	<i>Lion</i>	<i>Benson</i>		
	UNIT	SCALE	SIZE	DRAW NO.	REV.	Sheet
	10046	MM	NONE	A4	2EUSD-001	A 1/1