

PART NUMBER:
4MCQD - 0 7 * - 1 2 1
 SERIES — NO. OF POS. — TAPE REEL PACKAGE

CONTACT PLATED OPTION

- 1: GOLD FLASH
- 3: 3u" GOLD
- 5: 5u" GOLD
- 6: 10u" GOLD
- 7: 15u" GOLD
- 9: 30u" GOLD

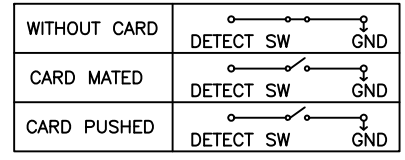
MATERIALS

HOUSING: HI-TEMP. PLASTIC (UL 94V-0)
 SHELL: STAINLESS STEEL
 SOLDER PAD: STAINLESS STEEL, GOLD PLATING
 TERMINAL: COPPER ALLOY, GOLD PLATED

SPECIFICATION

CURRENT RATING: 0.5 AMP MAX
 DIELECTRIC WITHSTANDING: 500V AC FOR ONE MINUTE
 CONTACT RESISTANCE: 100m OHMS MAX
 INSULATION RESISTANCE: 1000M OHMS MIN AT DC 500V
 OPERATION TEMPERATURE: -20°C~+85°C

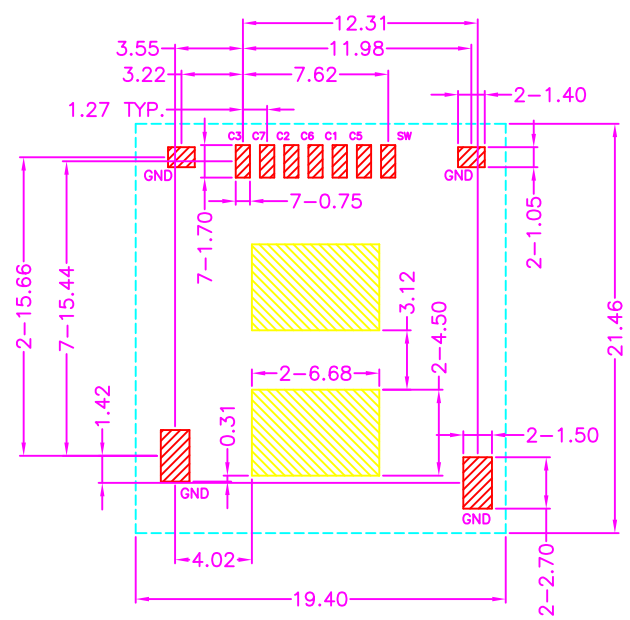
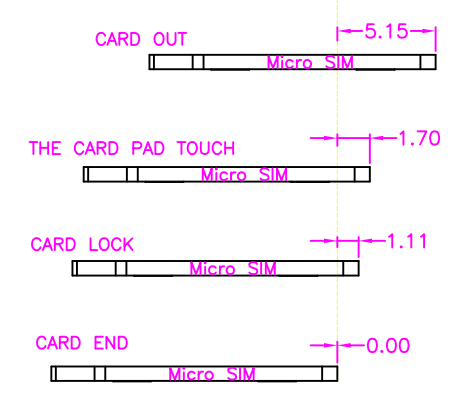
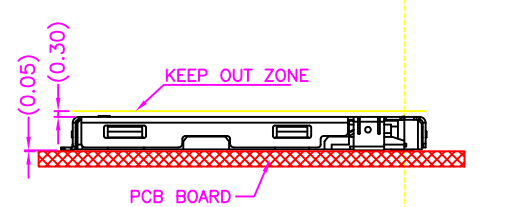
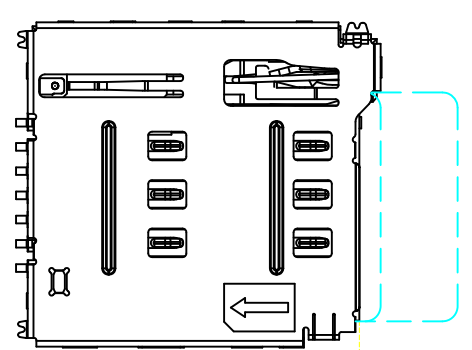
Circuit Diagram for Detect Switch



Cyberconn Technology Co., Ltd.
 www.cyberconn.com.tw Tel:+886-3-4951314

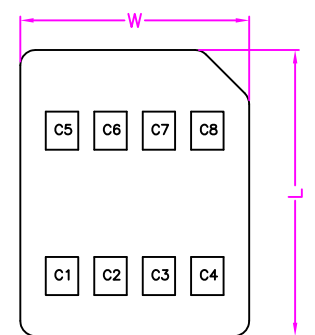
TOLERANCES	MEMORY CARD SERIES				
X.X ±0.3	TITLE MICRO SIM CARD, 6PIN, PCB MOUNT, SMT				
X.XX ±0.2	METAL SHIELD, PUSH PUSH TYPE, FEMALE				
X.XXX ±0.1	DRAWN BY	CHECKED BY	APPROVED BY		
Angle ±5°	<i>Janice</i>	<i>Lion</i>	<i>Benson</i>		
	UNIT	SCALE	SIZE	DRAW NO.	REV.
	10023	MM	NONE	A4	4MCQD-001
					Sheet
					1/2

A	RELEASE	2013.2.20
REV.	DESCRIPTION	DATE



P.C.B LAYOUT
TOP VIEW ±0.05

- PAD AREA
- INSULATION AREA (WHOLE INSIDE AREA)
- NO-PATTERN AREA



MICRO SIM CARD	
Pin No.	NAME
C1	VCC
C2	RST
C3	CLK
C4	Reserved
C5	GND
C6	VPP
C7	I/O
C8	Reserved

Micro SIM COMMON DIMENSIONS			
SYMBOL	MIN	NOM	MAX
L	14.90	15.00	15.10
W	11.90	12.00	12.10
T	0.68	0.76	0.84

Cyberconn Technology Co., Ltd.
www.cyberconn.com.tw Tel:+886-3-4951314

TOLERANCES	TITLE	MEMORY CARD SERIES				
X.X ±0.3 X.XX ±0.2 X.XXX ±0.1 Angle ±5°		MICRO SIM CARD, 6PIN, PCB MOUNT, SMT METAL SHIELD, PUSH PUSH TYPE, FEMALE				
	DRAWN BY	CHECKED BY	APPROVED BY			
	Janice	Lion	Benson			
UNIT	SCALE	SIZE	DRAW NO.	REV.	Sheet	
10023	MM	NONE	A4	4MCQD-001	A 2/2	

A	RELEASE	2013.2.20
REV.	DESCRIPTION	DATE