

PART NUMBER:

022BK - 0 * C - 1 *

SERIES


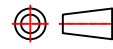
LIGHT PIPES OPTION

- 1: WITH INNER & OUTER LIGHT PIPES
- 2: WITH OUTER LIGHT PIPES
- 3: WITH INNER LIGHT PIPES

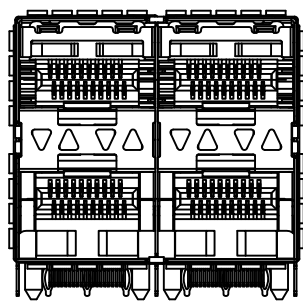
TRAY PACKAGE

CONNECTOR TERMINAL PLATING OPTION

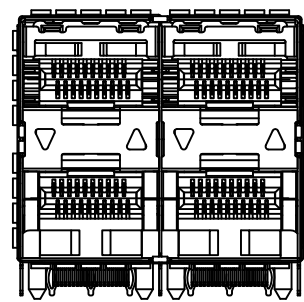
- 1: GOLD FLASH
- 3: 3u" GOLD
- 7: 15u" GOLD

 Cyberconn Technology Co., Ltd. www.cyberconn.com.tw Tel:+886-3-4951314						
TOLERANCES		SFP SERIES				
X.X ±0.3		TITLE STACKED SFP+ 2x2 CAGE, R/A, METAL SHIELD, PRESS FIT TYPE WITH CONNECTOR & LIGHT PIPE & EMI SPRING				
X.XX ±0.2		DRAWN BY		CHECKED BY		APPROVED BY
X.XXX ±0.1		Janice		Lion		Benson
Angle ±5°		UNIT	SCALE	SIZE	DRAW NO.	REV. Sheet
		10084	MM	NONE	A4	022BK-001 A 1/4

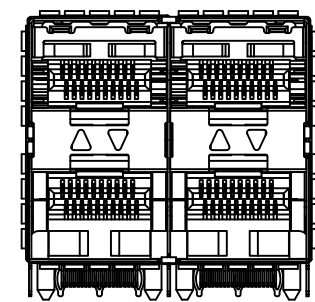
A	RELEASE	2013.4.18
REV.	DESCRIPTION	DATE



022BK-O*C-11
WITH INNER & OUTER LIGHT PIPES


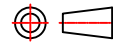


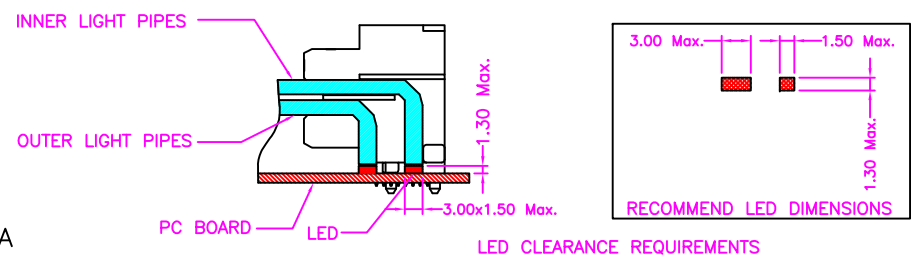
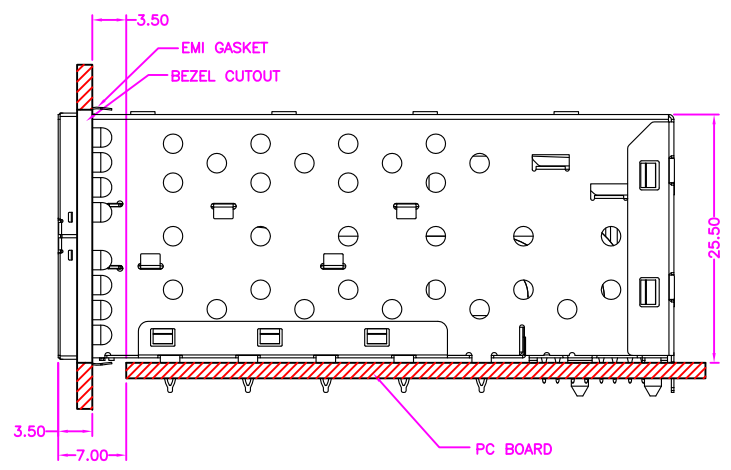
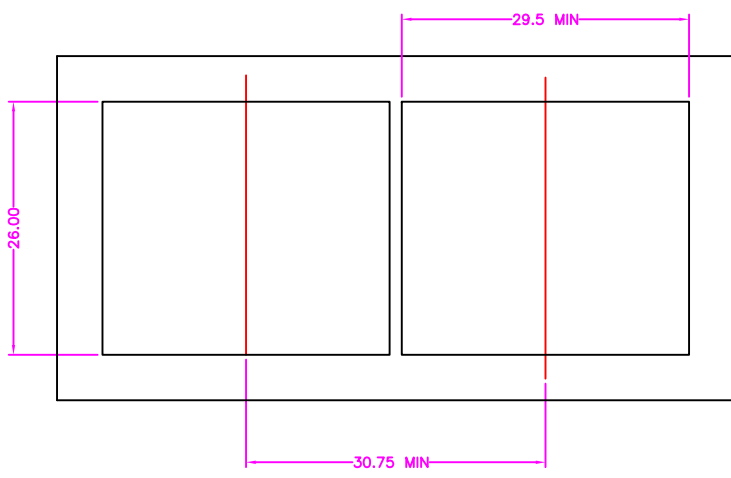
022BK-O*C-12
WITH OUTER LIGHT PIPES



022BK-O*C-13
WITH INNER LIGHT PIPES

A	RELEASE	2013.4.18
REV.	DESCRIPTION	DATE

 Cyberconn Technology Co., Ltd. <small>www.cyberconn.com.tw Tel:+886-3-4951314</small>						
TOLERANCES		SFP SERIES				
X.X ±0.3 X.XX ±0.2 X.XXX±0.1 Angle ±5°		TITLE	STACKED SFP+ 2x2 CAGE, R/A, METAL SHIELD, PRESS FIT TYPE WITH CONNECTOR & LIGHT PIPE & EMI SPRING			
		DRAWN BY	CHECKED BY	APPROVED BY		
		<i>Janice</i>	<i>Lion</i>	<i>Benson</i>		
UNIT	SCALE	SIZE	DRAW NO.	REV.	Sheet	
10084	MM	NONE	A4	022BK-001	A	2/4



MATERIALS

SFP CONNECTOR
 HOUSING: HI-TEMP. PLASTIC (UL 94V-0), BLACK
 TERMINAL: COPPER ALLOY, GOLD PLATED ON CONTACT AREA
 TIN PLATING ON SOLDER TAIL

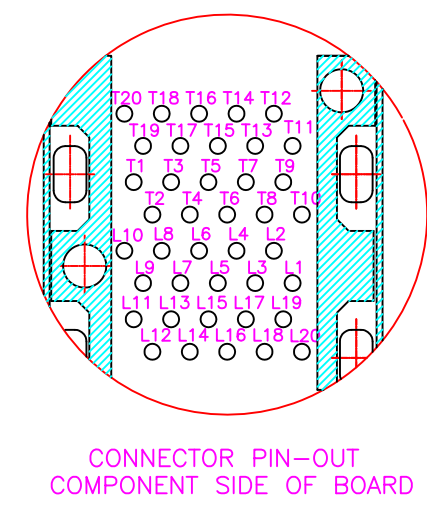
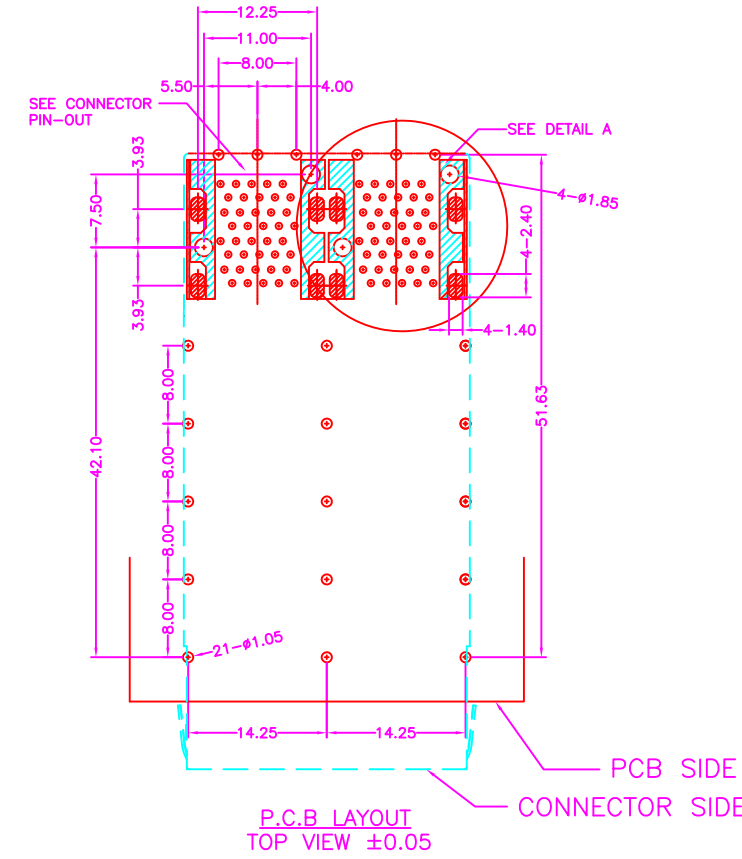
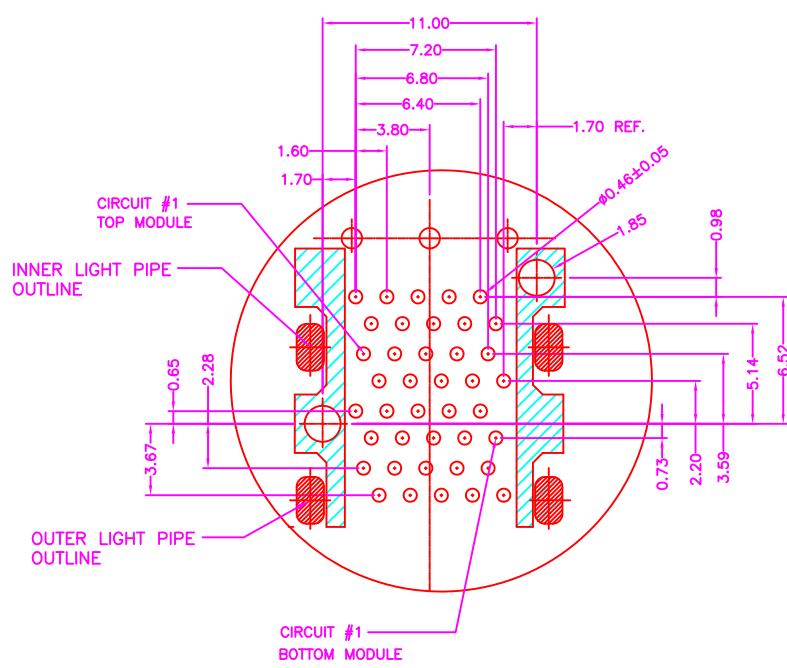
SFP CAGE
 TOP SHIELD: COPPER ALLOY
 MIDDLE SHIELD: COPPER ALLOY
 BOTTOM SHIELD: COPPER ALLOY
 BACK SHIELD: COPPER ALLOY
 BRACKET: COPPER ALLOY
 EMI GASKET: SUS

LIGHT PIPE: PC

A	RELEASE	2013.4.18
REV.	DESCRIPTION	DATE

Cyberconn Technology Co., Ltd.
 www.cyberconn.com.tw Tel.+886-3-4951314

TOLERANCES	SFP SERIES					
X.X ±0.3	TITLE	STACKED SFP+ 2x2 CAGE, R/A, METAL SHIELD, PRESS FIT TYPE WITH CONNECTOR & LIGHT PIPE & EMI SPRING				
X.XX ±0.2	DRAWN BY	CHECKED BY	APPROVED BY			
X.XXX ±0.1	<i>Janice</i>	<i>Lion</i>	<i>Benson</i>			
Angle ±5°	UNIT	SCALE	SIZE	DRAW NO.	REV.	Sheet
	10084	MM	NONE	A4	022BK-001	A 3/4



A	RELEASE	2013.4.18
REV.	DESCRIPTION	DATE

Cyberconn Technology Co., Ltd.
www.cyberconn.com.tw Tel +886-3-4951314

TOLERANCES	SFP SERIES					
X.X ±0.3	TITLE	STACKED SFP+ 2x2 CAGE, R/A, METAL SHIELD, PRESS FIT TYPE WITH CONNECTOR & LIGHT PIPE & EMI SPRING				
X.XX ±0.2	DRAWN BY	CHECKED BY	APPROVED BY			
X.XXX ±0.1	<i>Janice</i>	<i>Lion</i>	<i>Benson</i>			
Angle ±5°	UNIT	SCALE	SIZE	DRAW NO.	REV.	Sheet
	10084	MM	NONE	A4	022BK-001	A 4/4