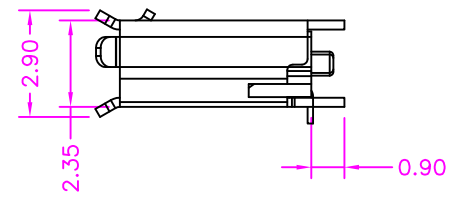
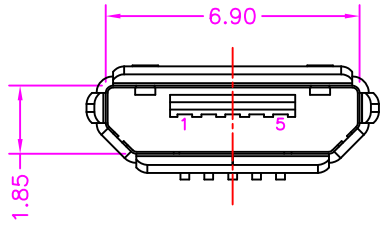


WITH POST

WITHOUT POST

P.C.B LAYOUT
TOP VIEW ±0.05



PART NUMBER:
2USTJ - 0 5 * - 1 2 1 *

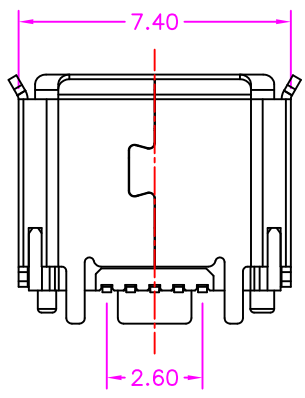
SERIES — NO. OF POS. — POST OPTION
BLANK: WITHOUT POST
P: WITH POST

CONTACT PLATED OPTION — TAPE REEL

1: GOLD FLASH
3: 3u" GOLD
5: 5u" GOLD
6: 10u" GOLD
7: 15u" GOLD
9: 30u" GOLD

MATERIALS
HOUSING: LCP (UL 94V-0), BLACK
SHELL: STAINLESS STEEL, TIN PLATING
TERMINAL: COPPER ALLOY, GOLD PLATED

SPECIFICATION
CURRENT RATING: 1.8 AMP MAX (ONLY PIN 1, 5), OTHER 1 AMP MAX
DIELECTRIC WITHSTANDING: 250V AC FOR ONE MINUTE
CONTACT RESISTANCE: 50m OHMS MAX
INSULATION RESISTANCE: 100M OHMS MIN AT DC 500V
OPERATION TEMPERATURE: -20°C~+85°C



A	RELEASE	2014.2.27
REV.	DESCRIPTION	DATE

Cyberconn Technology Co., Ltd.
www.cyberconn.com.tw Tel:+886-3-4951314

TOLERANCES	USB CONNECTOR SERIES					
X.X ±0.3 X.XX ±0.2 X.XXX±0.1 Angle ±5°	TITLE	MICRO USB B TYPE, VERTICAL SMT TYPE, METAL SHIELD FEMALE				
	DRAWN BY	CHECKED BY	APPROVED BY			
	<i>Tina</i>	<i>Lion</i>	<i>Benson</i>			
UNIT	SCALE	SIZE	DRAW NO.	REV.	Sheet	
10006&10057	MM	NONE	A4	2USTJ-001	A 1/1	