

SCALE 2:1

MATERIALS

HOUSING: HI-TEMP. PLASTIC (UL 94V-0)
 TERMINAL: COPPER ALLOY, GOLD PLATED

SPECIFICATION

CURRENT RATING: 0.5 AMP MAX
 DIELECTRIC WITHSTANDING: 1000V AC FOR ONE MINUTE
 CONTACT RESISTANCE: 40m OHMS MAX
 INSULATION RESISTANCE: 1000M OHMS MIN AT DC 500V
 OPERATION TEMPERATURE: -55°C~+105°C

PART NUMBER:

4CEGT - 7 5 * - 1 2 6

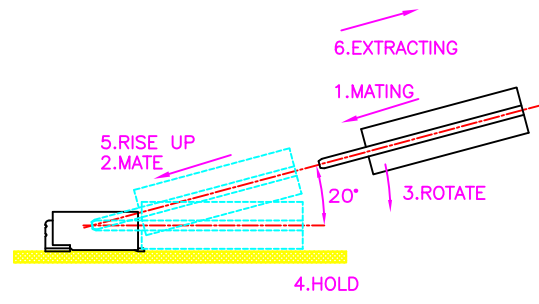
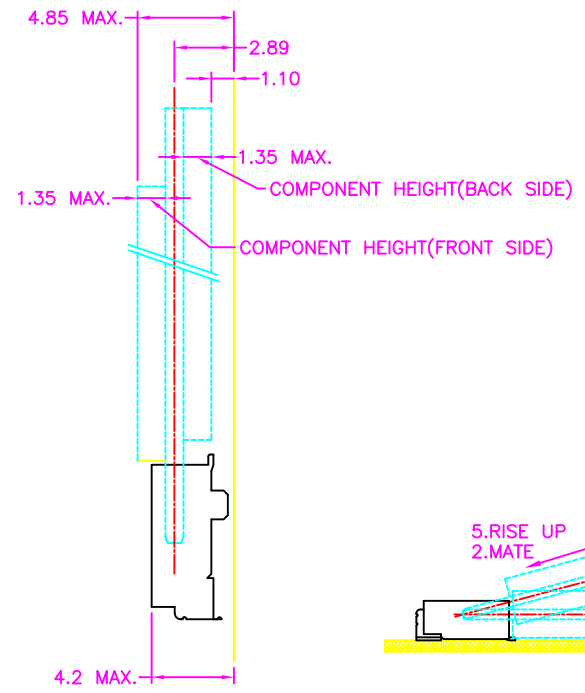
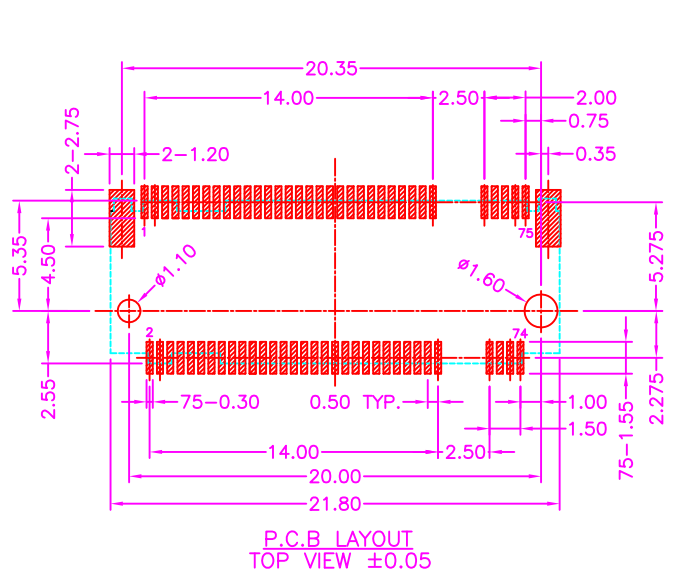
SERIES — NO. OF POS. — CONTACT PLATED OPTION — TAPE REEL

CONTACT PLATED OPTION


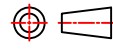
- 1: GOLD FLASH
- 3: 3u" GOLD
- 5: 5u" GOLD
- 6: 10u" GOLD
- 9: 30u" GOLD

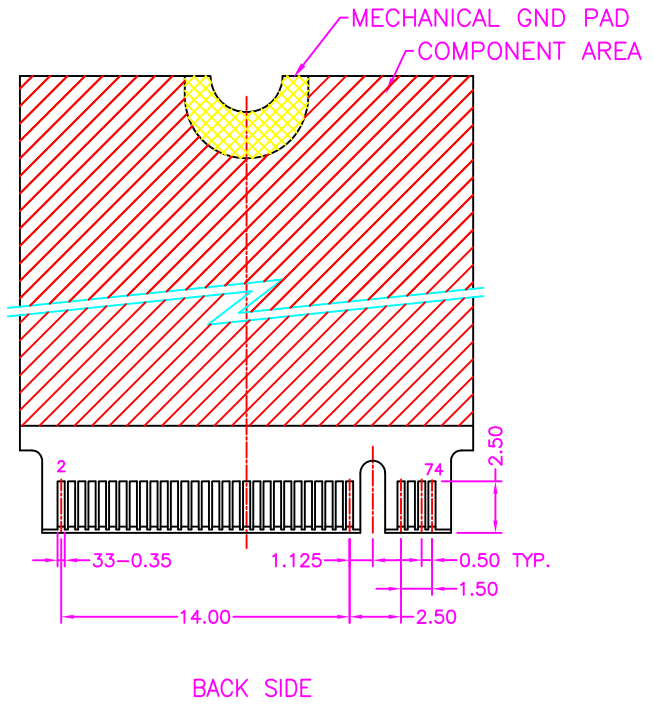
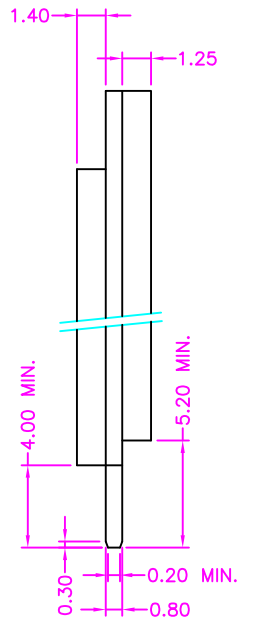
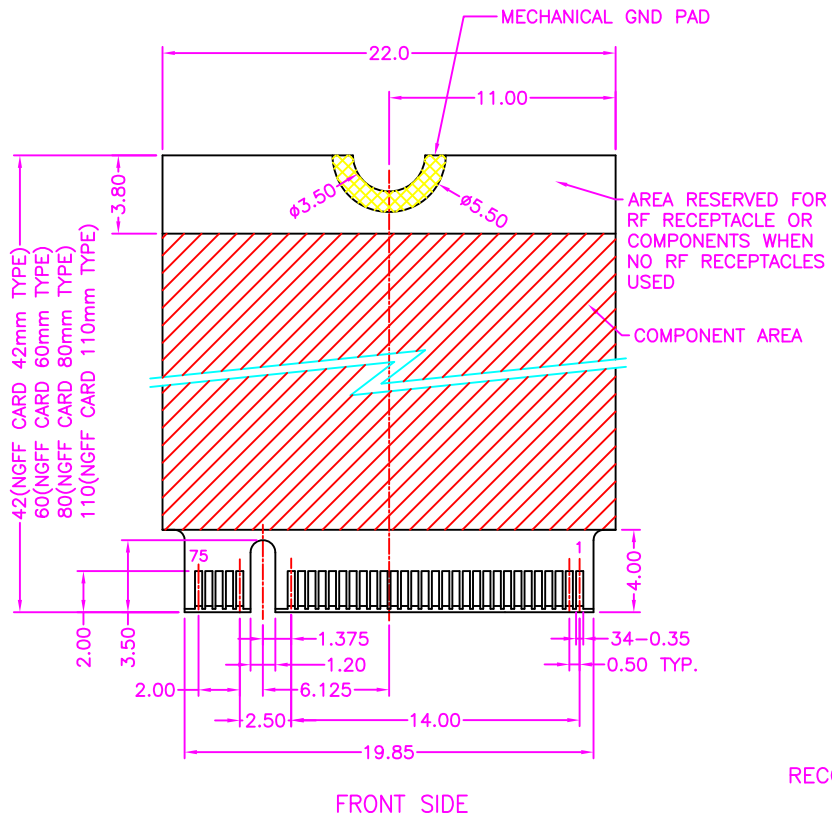
Cyberconn Technology Co., Ltd. www.cyberconn.com.tw Tel:+886-3-4951314						
TOLERANCES		CARD EDGE SERIES				
X.X ±0.3		TITLE NGFF(M.2), 0.5mm PITCH, PCB MOUNT, SMT, FEMALE				
X.XX ±0.2		M KEY WITH PAD, H=4.00mm				
X.XXX±0.1		DRAWN BY		CHECKED BY		APPROVED BY
Angle ±5°		Tina		Lion		Benson
		UNIT	SCALE	SIZE	DRAW NO.	REV. Sheet
10001		MM	NONE	A4	4CEGT-006	A 1/4

A	RELEASE	2014.3.27
REV.	DESCRIPTION	DATE



A	RELEASE	2014.3.27
REV.	DESCRIPTION	DATE

 Cyberconn Technology Co., Ltd. www.cyberconn.com.tw Tel:+886-3-4951314							
TOLERANCES		CARD EDGE SERIES					
X.X ±0.3		TITLE NGFF(M.2), 0.5mm PITCH, PCB MOUNT, SMT, FEMALE					
X.XX ±0.2		M KEY WITH PAD, H=4.00mm					
X.XXX ±0.1		DRAWN BY		CHECKED BY		APPROVED BY	
Angle ±5°		Tina		Lion		Benson	
		UNIT	SCALE	SIZE	DRAW NO.	REV.	Sheet
10001		MM	NONE	A4	4CEGT-006	A	2/4

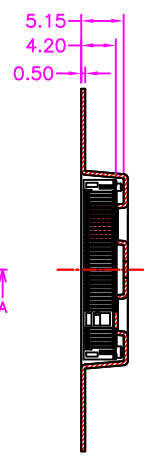
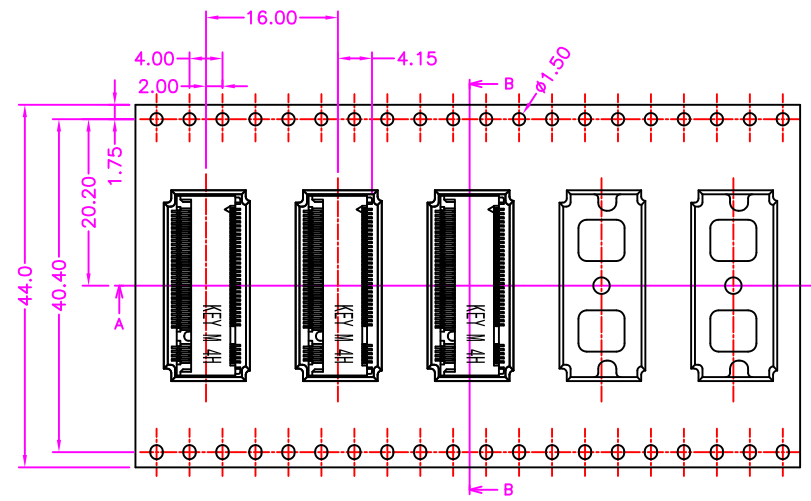


Cyberconn Technology Co., Ltd.
www.cyberconn.com.tw Tel:+886-3-4951314

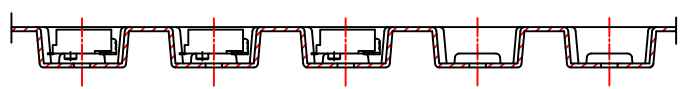
TOLERANCES	CARD EDGE SERIES					
X.X ±0.3	TITLE NGFF(M.2), 0.5mm PITCH, PCB MOUNT, SMT, FEMALE					
X.XX ±0.2	M KEY WITH PAD, H=4.00mm					
X.XXX ±0.1	DRAWN BY	CHECKED BY	APPROVED BY			
Angle ±5°	<i>Tina</i>	<i>Lion</i>	<i>Benson</i>			
	UNIT	SCALE	SIZE	DRAW NO.	REV.	Sheet
	10001	MM	NONE	A4	4CEGT-006	A

A	RELEASE	2014.3.27
REV.	DESCRIPTION	DATE

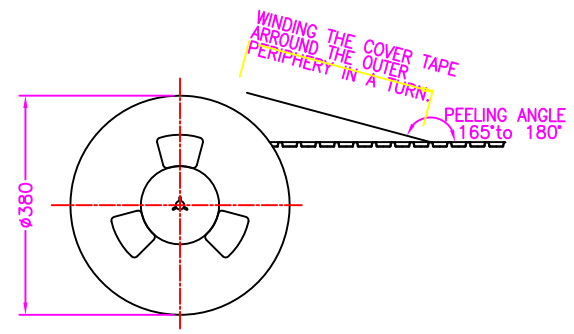
DIRECTION OFF TOP OF REEL



SECTION B-B



SECTION A-A



NOTES:
 PACKED IN EMBOSS TAPE AND PLASTIC REEL 1000 PCS PER REEL
 1000PCS/REEL

Cyberconn Technology Co., Ltd. www.cyberconn.com.tw Tel:+886-3-4951314							
TOLERANCES		CARD EDGE SERIES					
X.X ±0.3		TITLE NGFF(M.2), 0.5mm PITCH, PCB MOUNT, SMT, FEMALE M KEY WITH PAD, H=4.00mm					
X.XX ±0.2							
X.XXX ±0.1		DRAWN BY		CHECKED BY		APPROVED BY	
Angle ±5°		Tina		Lion		Benson	
		UNIT	SCALE	SIZE	DRAW NO.	REV.	Sheet
10001		MM	NONE	A4	4CEGT-006	A	4/4

A	RELEASE	2014.3.27
REV.	DESCRIPTION	DATE