

SCALE 2:1

PART NUMBER:
4CEGT - 7 5 * - 1 2 2

SERIES

NO. OF POS.

TAPE REEL

CONTACT PLATED OPTION

- 1: GOLD FLASH
- 3: 3u" GOLD
- 5: 5u" GOLD
- 6: 10u" GOLD
- 9: 30u" GOLD

MATERIALS

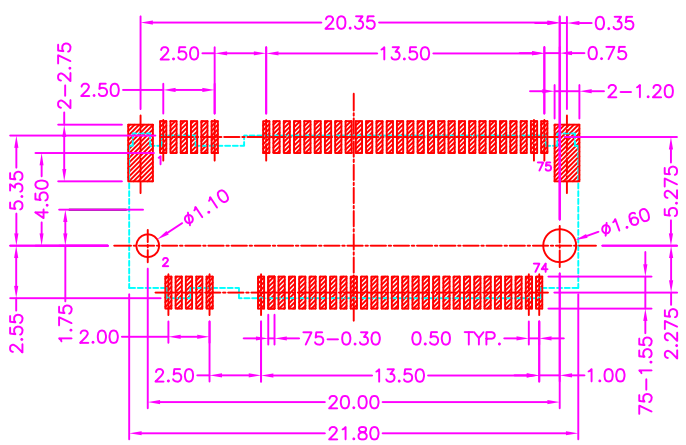
HOUSING: HI-TEMP. PLASTIC (UL 94V-0)
TERMINAL: COPPER ALLOY, GOLD PLATED

SPECIFICATION

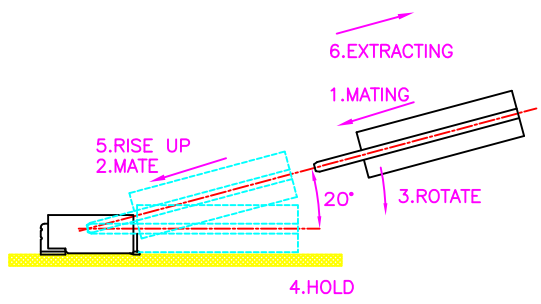
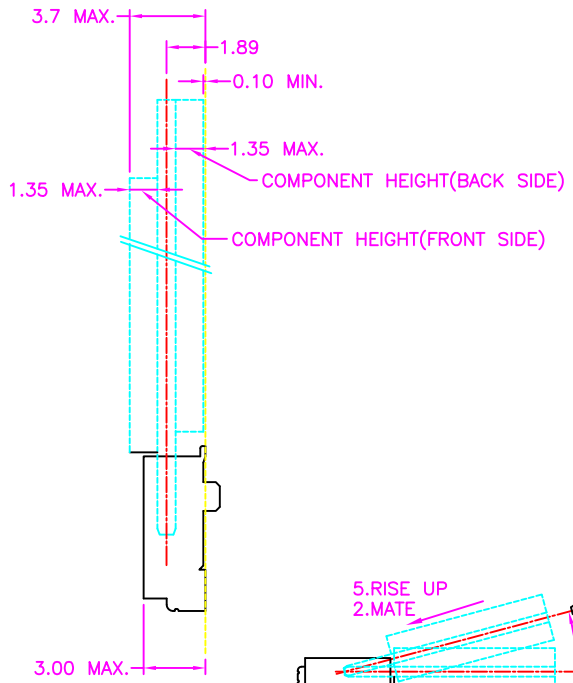
CURRENT RATING: 0.5 AMP MAX
DIELECTRIC WITHSTANDING: 300V AC FOR ONE MINUTE
CONTACT RESISTANCE: 55m OHMS MAX
INSULATION RESISTANCE: 500M OHMS MIN AT DC 500V
OPERATION TEMPERATURE: -40°C~+80°C

Cyberconn Technology Co., Ltd. www.cyberconn.com.tw Tel:+886-3-4951314						
TOLERANCES		CARD EDGE SERIES				
X.X ±0.3 X.XX ±0.2 X.XXX ±0.1 Angle ±5°		TITLE NGFF(M.2), 0.5mm PITCH, PCB MOUNT, SMT, FEMALE B KEY WITH PAD, H=3.00mm				
		DRAWN BY		CHECKED BY		APPROVED BY
		Tina		Lion		Benson
		UNIT	SCALE	SIZE	DRAW NO.	REV. Sheet
		10001	MM	NONE	A4 4CEGT-002	A 1/4

A	RELEASE	2014.3.24
REV.	DESCRIPTION	DATE



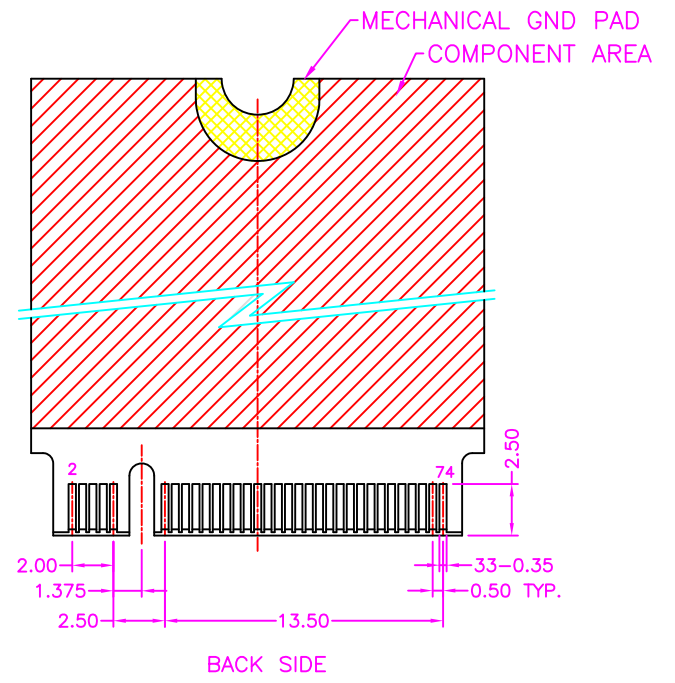
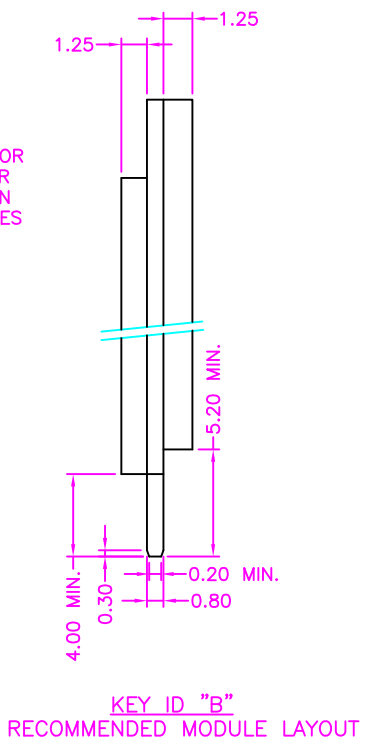
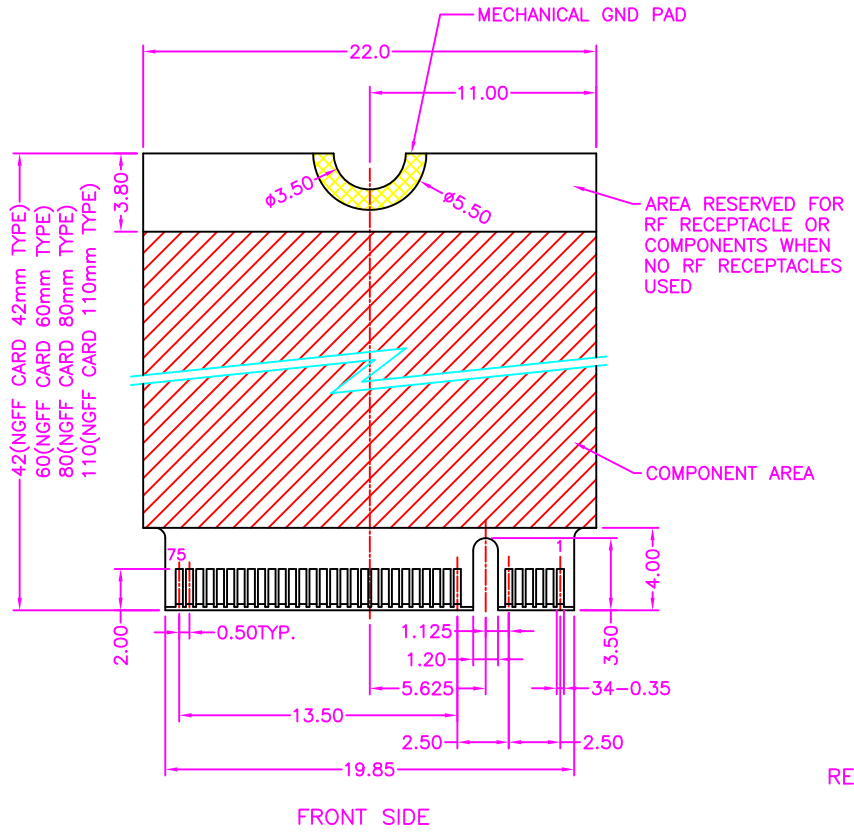
P.C.B. LAYOUT
TOP VIEW ±0.05



Cyberconn Technology Co., Ltd.
www.cyberconn.com.tw Tel:+886-3-4951314

TOLERANCES X.X ±0.3 X.XX ±0.2 X.XXX ±0.1 Angle ±5°	CARD EDGE SERIES TITLE NGFF(M.2), 0.5mm PITCH, PCB MOUNT, SMT, FEMALE B KEY WITH PAD, H=3.00mm					
	DRAWN BY	CHECKED BY	APPROVED BY			
<i>Tina</i>		<i>Lion</i>		<i>Benson</i>		
	UNIT	SCALE	SIZE	DRAW NO.	REV.	Sheet
	10001	MM	NONE	A4	4CEGT-002	A 2/4

A	RELEASE	2014.3.24
REV.	DESCRIPTION	DATE

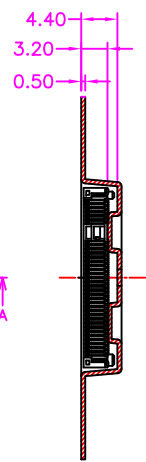
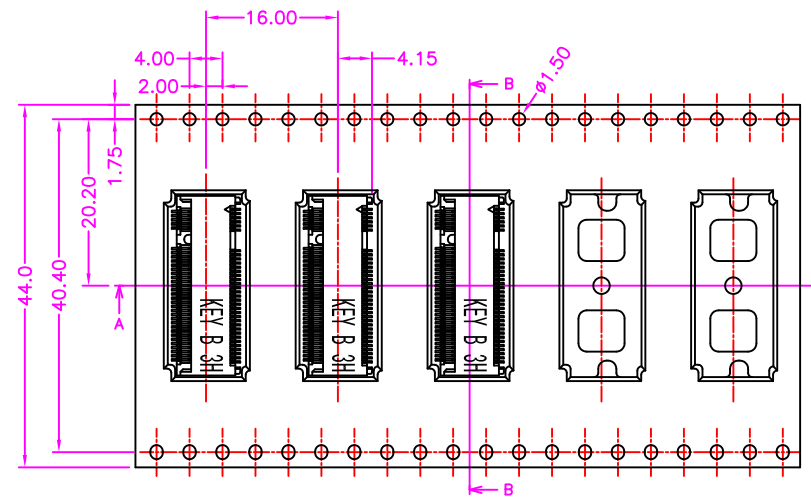


A	RELEASE	2014.3.24
REV.	DESCRIPTION	DATE

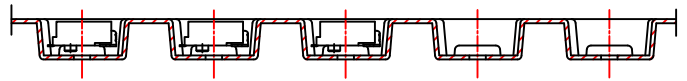
Cyberconn Technology Co., Ltd. www.cyberconn.com.tw Tel:+886-3-4951314						
TOLERANCES		CARD EDGE SERIES				
X.X ±0.3		TITLE NGFF(M.2), 0.5mm PITCH, PCB MOUNT, SMT, FEMALE B KEY WITH PAD, H=3.00mm				
X.XX ±0.2		DRAWN BY		CHECKED BY		APPROVED BY
X.XXX ±0.1		Tina		Lion		Benson
Angle ±5°		UNIT	SCALE	SIZE	DRAW NO.	REV. Sheet
		10001	MM	NONE	A4 4CEGT-002	A 3/4

1 2 3 4 5 6 7 8

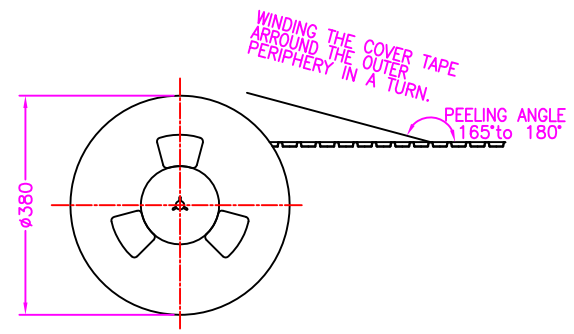
DIRECTION OFF TOP OF REEL



SECTION B-B



SECTION A-A



NOTES:
 PACKED IN EMBOSS TAPE AND PLASTIC REEL 1200 PCS PER REEL
 1200PCS/REEL
 7200PCS/CARTON

A	RELEASE	2014.3.24
REV.	DESCRIPTION	DATE

Cyberconn Technology Co., Ltd.
 www.cyberconn.com.tw Tel:+886-3-4951314

TOLERANCES	CARD EDGE SERIES				
X.X ±0.3	TITLE NGFF(M.2), 0.5mm PITCH, PCB MOUNT, SMT, FEMALE				
X.XX ±0.2	B KEY WITH PAD, H=3.00mm				
X.XXX ±0.1	DRAWN BY	CHECKED BY	APPROVED BY		
Angle ±5°	<i>Tina</i>	<i>Lion</i>	<i>Benson</i>		
	UNIT	SCALE	SIZE	DRAW NO.	REV.
	10001	MM	NONE	A4	4CEGT-002
					Sheet
					4/4

1 2 3 4 5 6 7 8