

SCALE 2:1

MATERIALS

HOUSING: HI-TEMP. PLASTIC (UL 94V-0)
 TERMINAL: COPPER ALLOY, GOLD PLATED

SPECIFICATION

CURRENT RATING: 0.5 AMP MAX
 DIELECTRIC WITHSTANDING: 300V AC FOR ONE MINUTE
 CONTACT RESISTANCE: 55m OHMS MAX
 INSULATION RESISTANCE: 500M OHMS MIN AT DC 500V
 OPERATION TEMPERATURE: -40°C~+80°C

PART NUMBER:

4CEGT - 7 5 * - 1 2 1

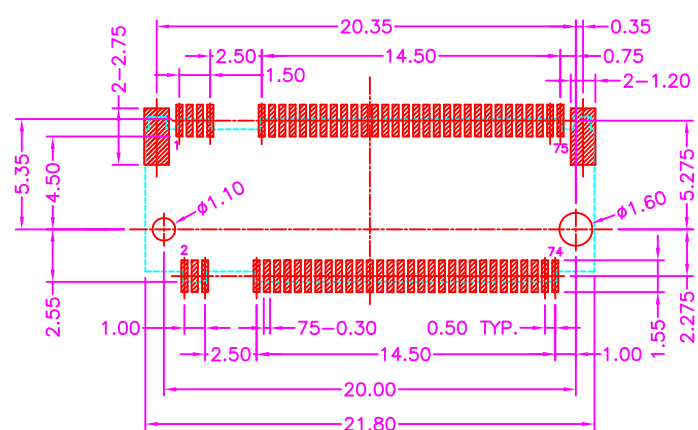
SERIES — NO. OF POS. — CONTACT PLATED OPTION — TAPE REEL

CONTACT PLATED OPTION

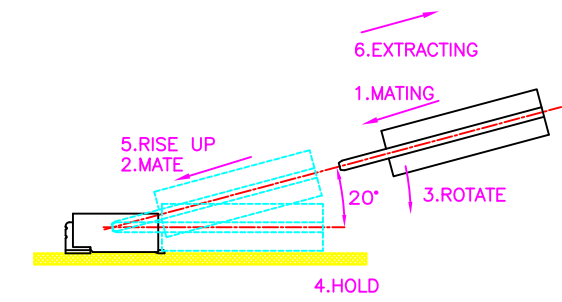
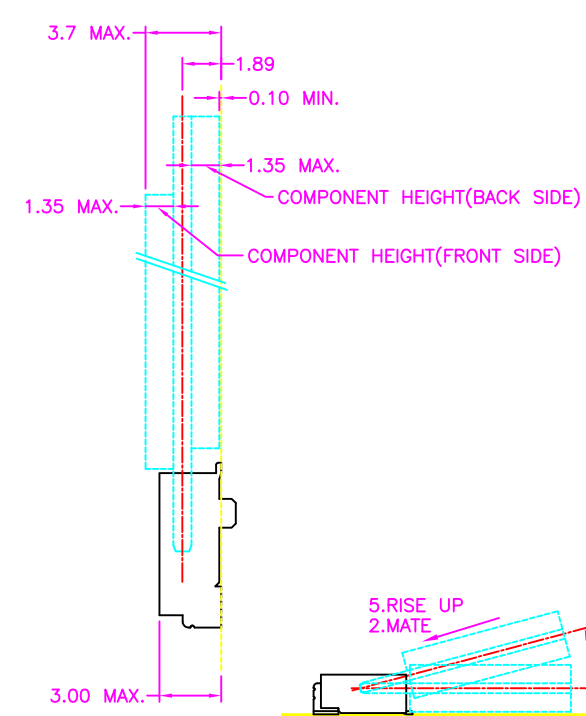
- 1: GOLD FLASH
- 3: 3u" GOLD
- 5: 5u" GOLD
- 6: 10u" GOLD
- 9: 30u" GOLD

A	RELEASE	2014.3.24
REV.	DESCRIPTION	DATE

<p>Cyberconn Technology Co., Ltd. www.cyberconn.com.tw Tel: +886-3-4951314</p>						
TOLERANCES		CARD EDGE SERIES				
X.X ±0.3		TITLE NGFF(M.2), 0.5mm PITCH, PCB MOUNT, SMT, FEMALE A KEY WITH PAD, H=3.00mm				
X.XX ±0.2		DRAWN BY		CHECKED BY		APPROVED BY
X.XXX ±0.1		Tina		Lion		Benson
Angle ±5°		UNIT	SCALE	SIZE	DRAW NO.	REV.
		10001	MM	NONE	A4	4CEGT-001
						Sheet
						A 1/4

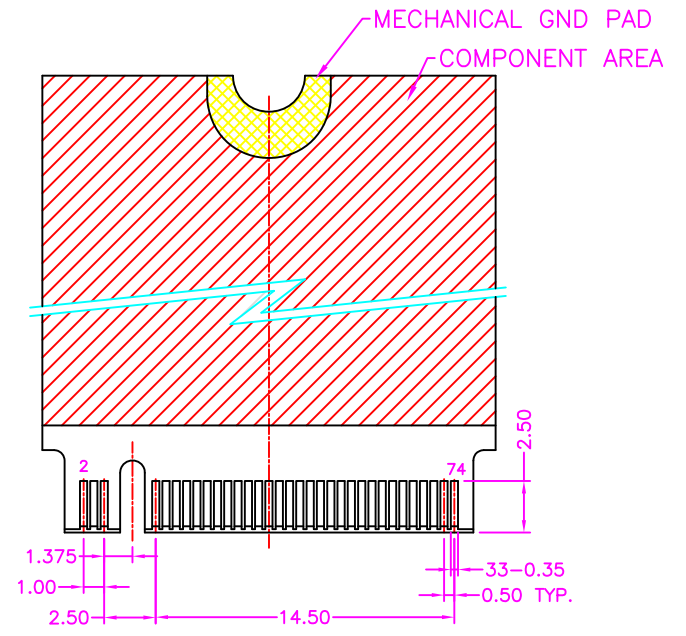
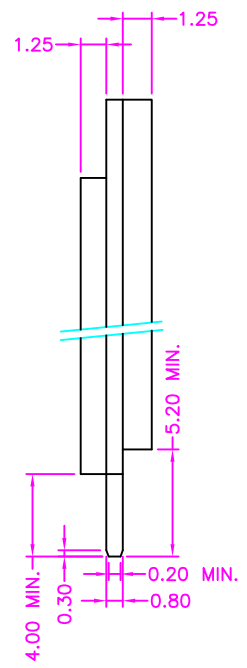
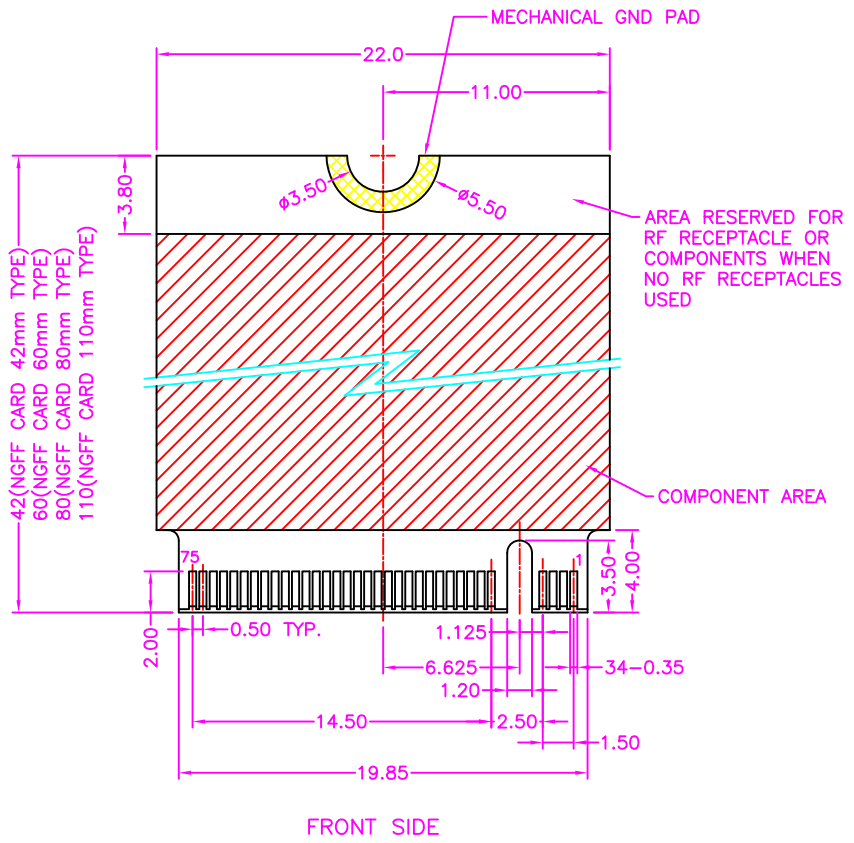


P.C.B. LAYOUT
TOP VIEW ±0.05



A	RELEASE	2014.3.24
REV.	DESCRIPTION	DATE

Cyberconn Technology Co., Ltd. www.cyberconn.com.tw Tel:+886-3-4951314						
TOLERANCES		CARD EDGE SERIES				
X.X ±0.3		TITLE NGFF(M.2), 0.5mm PITCH, PCB MOUNT, SMT, FEMALE				
X.XX ±0.2		A KEY WITH PAD, H=3.00mm				
X.XXX ±0.1		DRAWN BY		CHECKED BY		APPROVED BY
Angle ±5°		Tina		Lion		Benson
		UNIT	SCALE	SIZE	DRAW NO.	REV.
10001		MM	NONE	A4	4CEGT-001	A
					Sheet	2/4

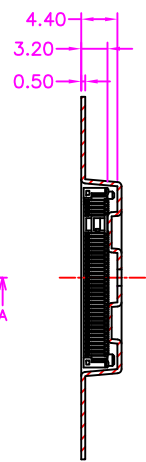
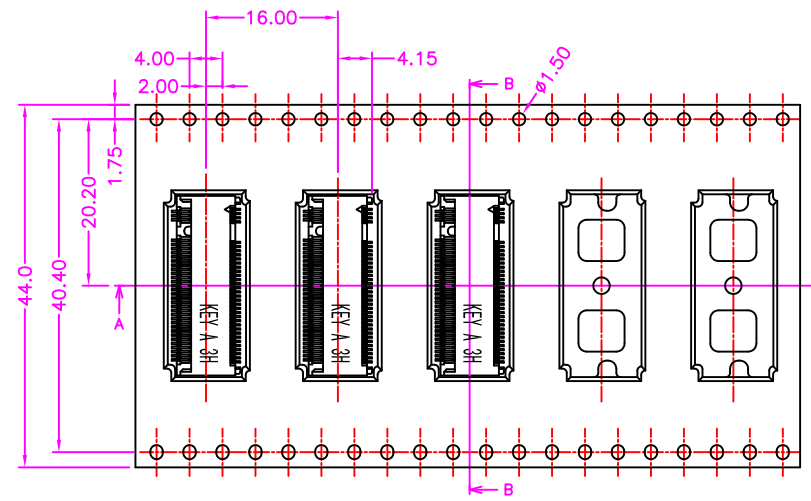


A	RELEASE	2014.3.24
REV.	DESCRIPTION	DATE

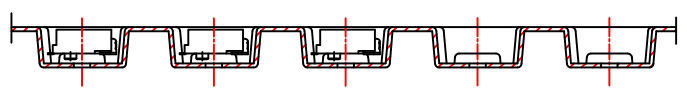
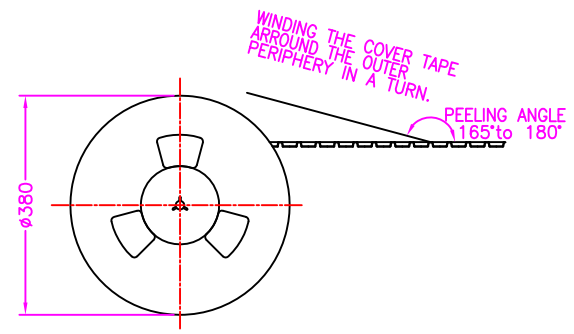
Cyberconn Technology Co., Ltd.
www.cyberconn.com.tw Tel:+886-3-4951314

TOLERANCES	CARD EDGE SERIES				
X.X ±0.3 X.XX ±0.2 X.XXX ±0.1 Angle ±5°	TITLE	NGFF(M.2), 0.5mm PITCH, PCB MOUNT, SMT, FEMALE A KEY WITH PAD, H=3.00mm			
	DRAWN BY	CHECKED BY	APPROVED BY		
	<i>Tina</i>	<i>Lion</i>	<i>Benson</i>		
10001	UNIT	SCALE	SIZE	DRAW NO.	REV. Sheet
	MM	NONE	A4	4CEGT-001	A 3/4

DIRECTION OFF TOP OF REEL


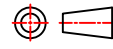


SECTION B-B



SECTION A-A

NOTES:
 PACKED IN EMBOSS TAPE AND PLASTIC REEL 1200 PCS PER REEL
 1200PCS/REEL
 7200PCS/CARTON

 Cyberconn Technology Co., Ltd. www.cyberconn.com.tw Tel:+886-3-4951314						
TOLERANCES		CARD EDGE SERIES				
X.X ±0.3		TITLE NGFF(M.2), 0.5mm PITCH, PCB MOUNT, SMT, FEMALE A KEY WITH PAD, H=3.00mm				
X.XX ±0.2						
X.XXX ±0.1						
Angle ±5°		DRAWN BY	CHECKED BY	APPROVED BY		
		<i>Tina</i>	<i>Lion</i>	<i>Benson</i>		
UNIT	SCALE	SIZE	DRAW NO.	REV.	Sheet	
10001	MM	NONE	A4	4CEGT-001	A	4/4

A	RELEASE	2014.3.24
REV.	DESCRIPTION	DATE