

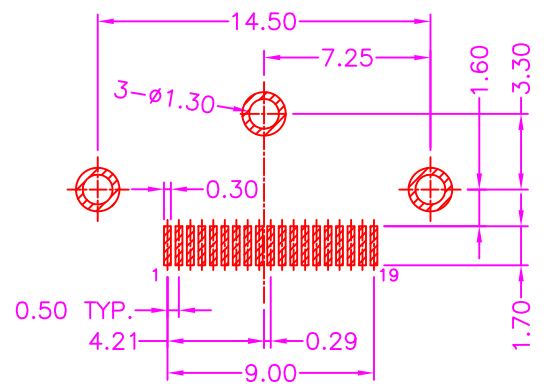
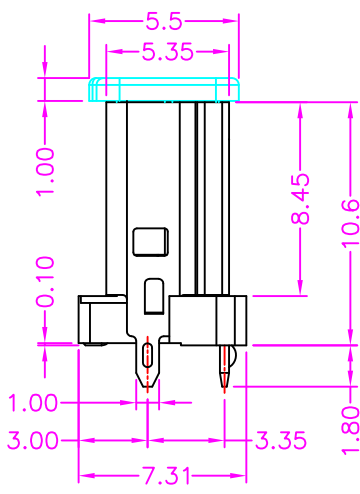
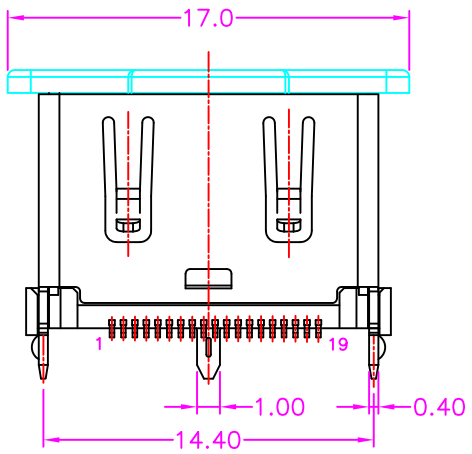
3D VIEW

MATERIALS

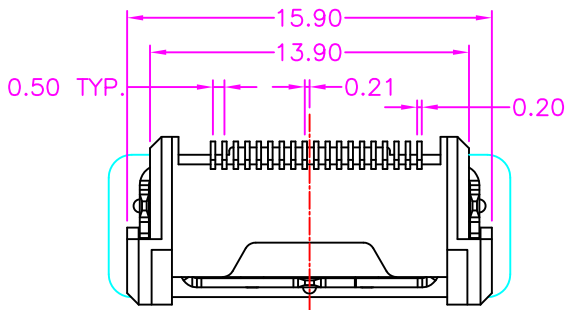
HOUSING: HI-TEMP. PLASTIC (UL 94V-0), BLACK
 SHELL: COPPER ALLOY, NICKEL PLATING
 TERMINAL: COPPER ALLOY, GOLD PLATED ON CONTACT AREA
 TIN PLATING ON SOLDER TAIL

SPECIFICATION

CURRENT RATING: 0.5 AMP MAX
 DIELECTRIC WITHSTANDING: 500V AC FOR ONE MINUTE
 CONTACT RESISTANCE: 30m OHMS MAX
 INSULATION RESISTANCE: 100M OHMS MIN AT DC 500V
 OPERATION TEMPERATURE: -20°C~+85°C



P.C.B. LAYOUT TOP VIEW ±0.05



PART NUMBER:
 2HDEA - 1 9 * T - 1 2 2

SERIES — NO. OF POS. — CONTACT PLATED OPTION — TIN PLATING ON SOLDER TAIL — TAPE REEL PACKAGE

- CONTACT PLATED OPTION
- 1: GOLD FLASH
- 3: 3u" GOLD
- 5: 5u" GOLD
- 7: 15u" GOLD
- 9: 30u" GOLD

Cyberconn Technology Co., Ltd. <small>www.cyberconn.com.tw Tel:+886-3-4951314</small>						
TOLERANCES		TITLE				
X.X ±0.3	X.XX ±0.2	HDMI CONNECTOR SERIES				
X.XXX ±0.1	Angle ±5°	HDMI, PCB MOUNT, VERTICAL SMT, METAL SHIELD FEMALE				
DRAWN BY		CHECKED BY		APPROVED BY		
Janice		Lion		Benson		
UNIT	SCALE	SIZE	DRAW NO.	REV.	Sheet	
10109	MM	NONE	A4	2HDEA-002	A 1/2	

A	RELEASE	2013.11.6
REV.	DESCRIPTION	DATE