

CIRCUIT DIAGRAM FOR DETECT SWITCH

CARD INSERTION STATE	DETECT SWITCH CIRCUIT STATE	SCHEMATIC
CARD MATED	OPENED	D.S ——— D.C
CARD UNMATED	CLOSED	D.S ——— D.C

D.S	DETECT SPRING
D.C	DETECT CONTACT

MATERIALS

HOUSING: LCP (UL 94V-0), BLACK
 SHELL: STAINLESS STEEL, NICKEL PLATING
 SOLDER PAD: STAINLESS STEEL, TIN PLATING
 TERMINAL: COPPER ALLOY, GOLD PLATING

SPECIFICATION

CURRENT RATING: 0.5 AMP MAX
 DIELECTRIC WITHSTANDING: 500V AC FOR ONE MINUTE
 CONTACT RESISTANCE: 100m OHMS MAX
 INSULATION RESISTANCE: 1000M OHMS MIN AT DC 500V
 OPERATION TEMPERATURE: -20°C ~ +85°C

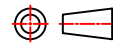
PART NUMBER:
4MCQG - 0 6 * - 1 2 2

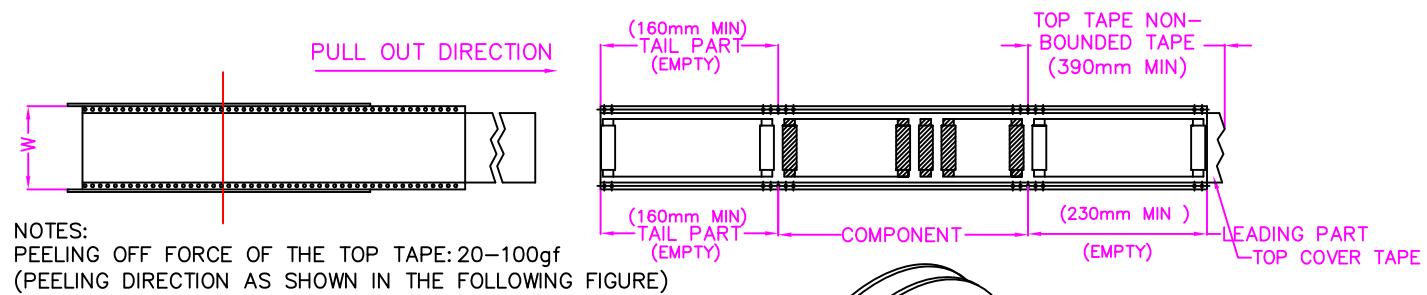
SERIES ——— NO. OF POS. ——— TAPE REEL PACKAGE

CONTACT PLATED OPTION
 1: GOLD FLASH
 3: 3u" GOLD
 5: 5u" GOLD
 6: 10u" GOLD
 7: 15u" GOLD
 9: 30u" GOLD

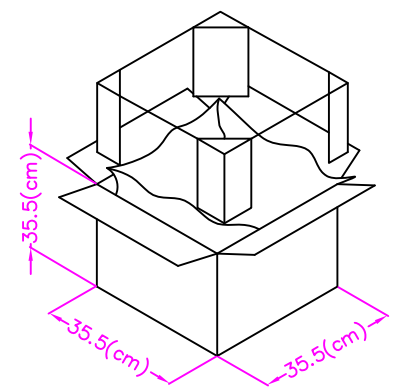
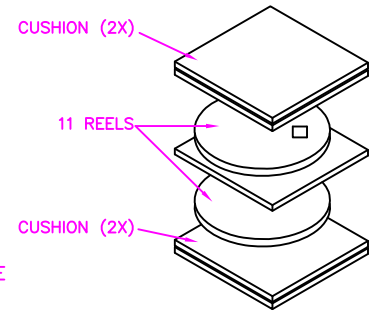
A	RELEASE	2014.3.31
REV.	DESCRIPTION	DATE

Cyberconn Technology Co., Ltd.
 www.cyberconn.com.tw Tel: +886-3-4951314

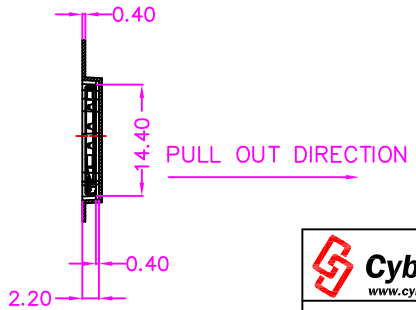
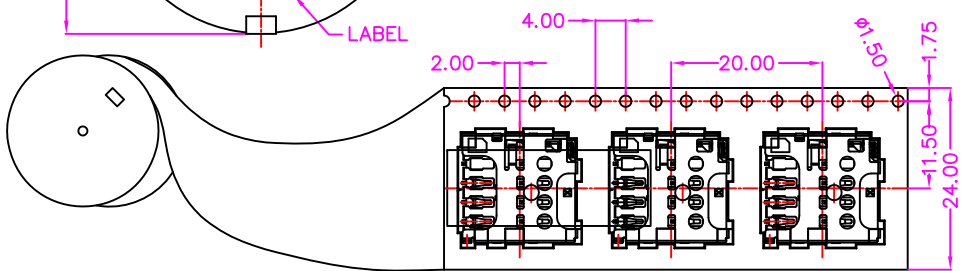
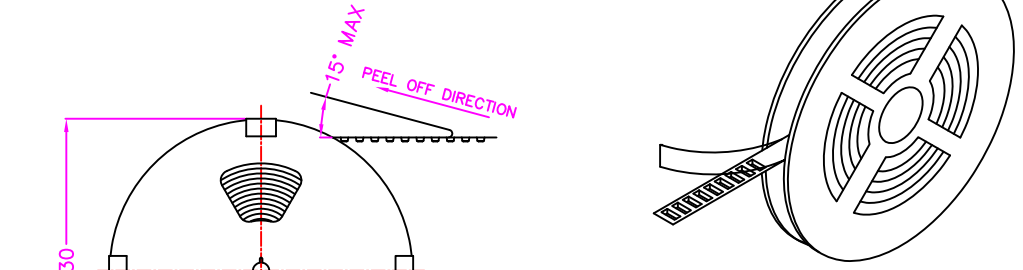
TOLERANCES	MEMORY CARD SERIES					
X.X ±0.3 X.XX ±0.2 X.XXX ±0.1 Angle ±5°	TITLE	MICRO SIM CARD, 6PIN, PCB MOUNT, SMT, METAL SHIELD FEMALE, PUSH PULL WITH DETECT PIN, H=1.40mm				
	DRAWN BY	CHECKED BY	APPROVED BY			
	<i>Tina</i>	<i>Lion</i>	<i>Benson</i>			
10065	UNIT	SCALE	SIZE	DRAW NO.	REV.	Sheet
	MM	NONE	A4	4MCQG-002	A	1/2



NOTES:
PEELING OFF FORCE OF THE TOP TAPE: 20-100gf
(PEELING DIRECTION AS SHOWN IN THE FOLLOWING FIGURE)



NOTES:
1.MATERIAL: PS (COLOR: TRANSPARENT)



A	RELEASE	2014.3.31
REV.	DESCRIPTION	DATE

Cyberconn Technology Co., Ltd. www.cyberconn.com.tw Tel:+886-3-4951314						
TOLERANCES		MEMORY CARD SERIES				
X.X ±0.3		TITLE MICRO SIM CARD, 6PIN, PCB MOUNT, SMT ,METAL SHIELD FEMALE, PUSH PULL WITH DETECT PIN, H=1.40mm				
X.XX ±0.2		DRAWN BY		CHECKED BY		APPROVED BY
X.XXX ±0.1		Tina		Lion		Benson
Angle ±5°		UNIT	SCALE	SIZE	DRAW NO.	REV.
		MM	NONE	A4	4MCQG-002	A
						Sheet
						2/2