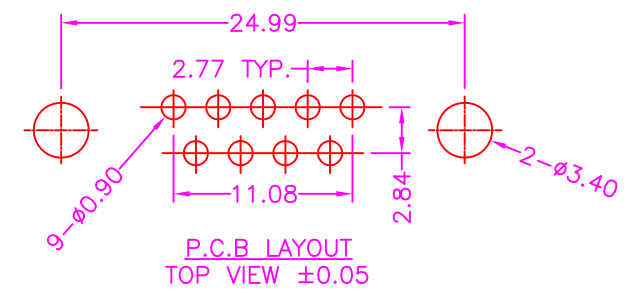
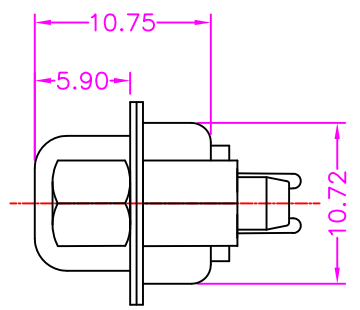
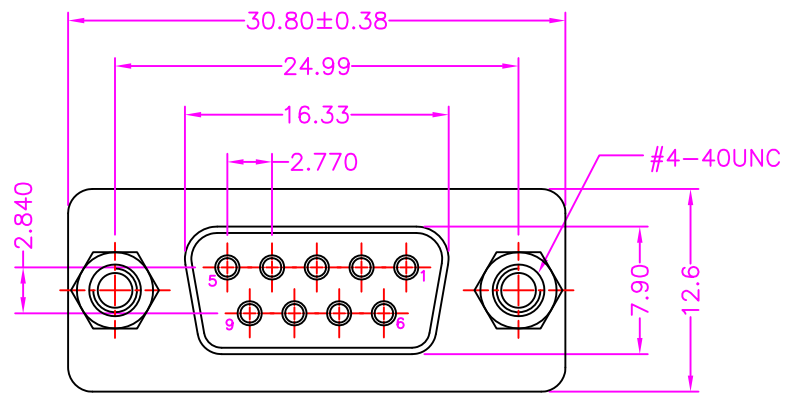


MATERIALS

- HOUSING: PBT (UL 94V-0), BLACK
- SHELL: SPCC, NICKEL PLATING
- BOARD LOCK (HEX NUT): SPCC
- SCREW: COPPER ALLOY, NICKEL PLATING
- TERMINAL: COPPER ALLOY, GOLD PLATED

SPECIFICATION

- CURRENT RATING: 5 AMP MAX
- DIELECTRIC WITHSTANDING: 1000V AC FOR ONE MINUTE
- CONTACT RESISTANCE: 30m OHMS MAX
- INSULATION RESISTANCE: 1000M OHMS MIN AT DC 500V
- OPERATION TEMPERATURE: -55°C~+105°C



PART NUMBER:
2DBBM - 0 9 * - 1 1 1

SERIES NO. OF POS. CONTACT PLATED OPTION TRAY PACKAGE

- CONTACT PLATED OPTION
- 1: GOLD FLASH
 - 3: 3u" GOLD
 - 5: 5u" GOLD
 - 7: 15u" GOLD
 - 9: 30u" GOLD

Cyberconn Technology Co., Ltd.
www.cyberconn.com.tw Tel:+886-3-4951314

TOLERANCES	D-SUB CONNECTOR SERIES					
X.X ±0.3	TITLE D-SUB, PCB MOUNT, VERTICAL, METAL SHIELD, FEMALE, MACHINE PIN, WITH HEX BOARDLOCK AND SCREW					
X.XX ±0.2						
X.XXX±0.1 Angle ±5°						
	DRAWN BY	CHECKED BY	APPROVED BY			
	<i>Tina</i>	<i>Lion</i>	<i>Benson</i>			
	UNIT	SCALE	SIZE	DRAW NO.	REV.	Sheet
	10127	MM	NONE	A4	2DBBM-001 A	1/1

A	RELEASE	2014.2.19
REV.	DESCRIPTION	DATE