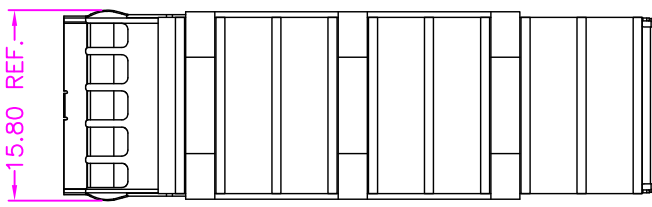


MATERIALS

METAL SHIELD: COPPER ALLOY, NICKEL PLATING
 SPRING: COPPER ALLOY, NICKEL PLATING
 CLIP: STAINLESS STEEL
 HEATSINK: ALUMINIUM



PART NUMBER:

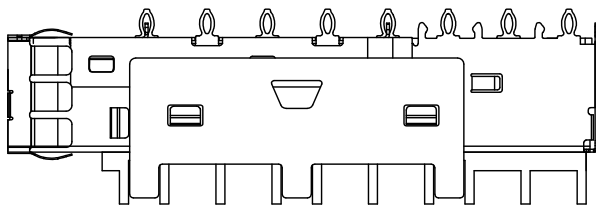
011AR - 0 N - 1 1 *

SERIES

"H" OPTION

- 1: 13.5
- 2: 15.8
- 3: 22.8

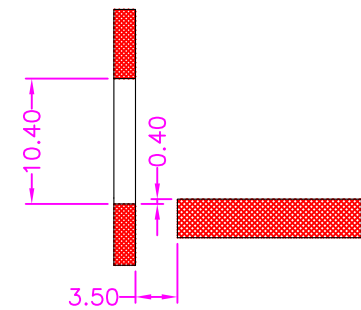
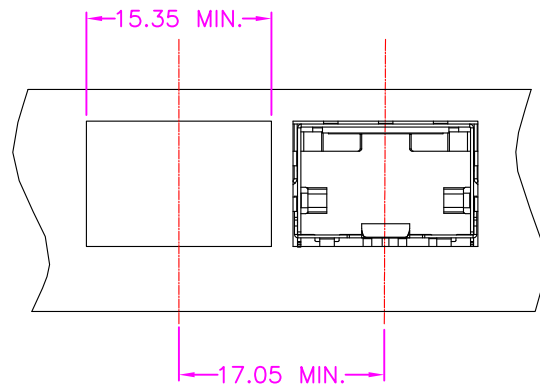
TRAY PACKAGE



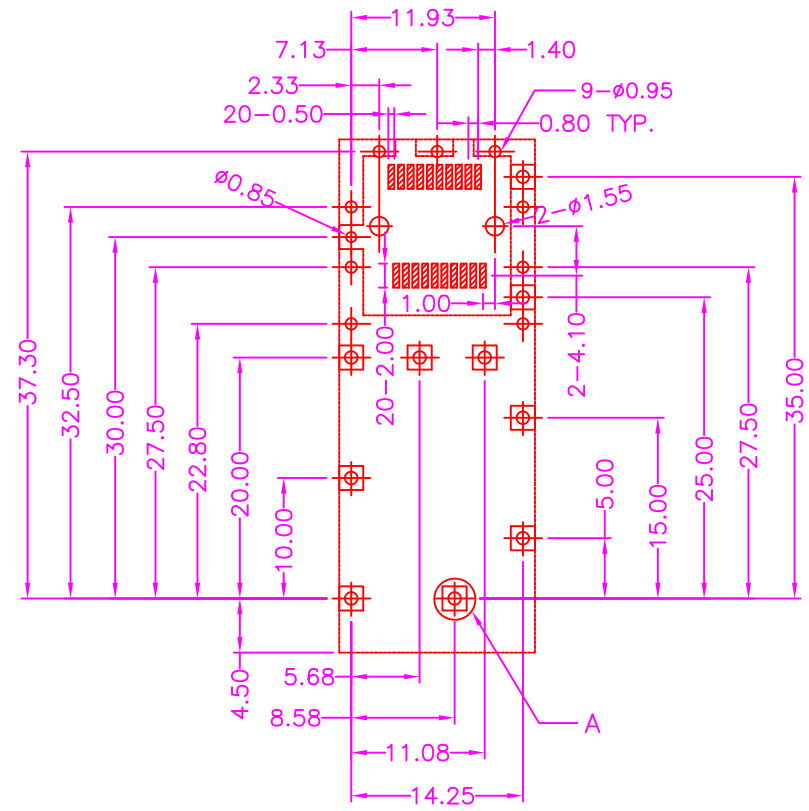
A	RELEASE	2013.12.23
REV.	DESCRIPTION	DATE

Cyberconn Technology Co., Ltd.
 www.cyberconn.com.tw Tel: +886-3-4951314

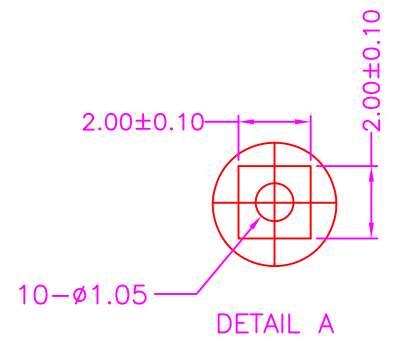
TOLERANCES	SFP SERIES					
X.X ±0.3	TITLE SFP PLUS CAGE, R/A, METAL SHIELD, PRESS FIT TYPE WITH EMI SPRING & HEAT SINK					
X.XX ±0.2	DRAWN BY		CHECKED BY		APPROVED BY	
X.XXX ±0.1	Tina		Lion		Benson	
Angle ±5°	UNIT	SCALE	SIZE	DRAW NO.	REV.	Sheet
	10139	MM	NONE	A4	011AR-001	A 1/2



RECOMMENDED PANEL DESIGN



P.C.B LAYOUT
TOP VIEW ±0.05



Cyberconn Technology Co., Ltd.
www.cyberconn.com.tw Tel:+886-3-4951314

TOLERANCES	SFP SERIES					
X.X ±0.3	TITLE SFP PLUS CAGE, R/A, METAL SHIELD, PRESS FIT TYPE WITH EMI SPRING & HEAT SINK					
X.XX ±0.2	DRAWN BY		CHECKED BY		APPROVED BY	
X.XXX ±0.1	Tina		Lion		Benson	
Angle ±5°	UNIT	SCALE	SIZE	DRAW NO.	REV.	Sheet
	10139	MM	NONE	A4	011AR-001	A 2/2

A	RELEASE	2013.12.23
REV.	DESCRIPTION	DATE