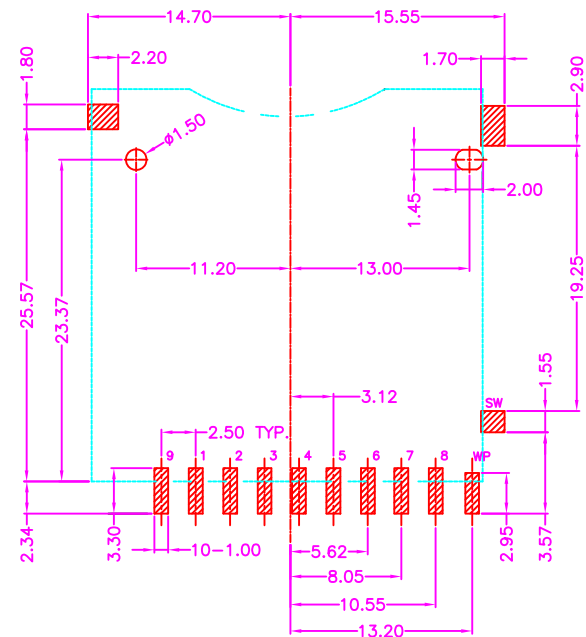
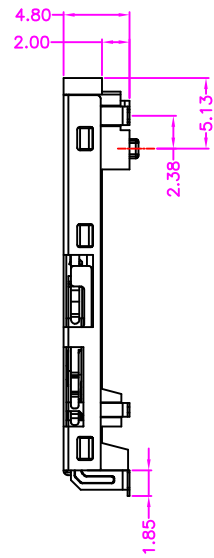
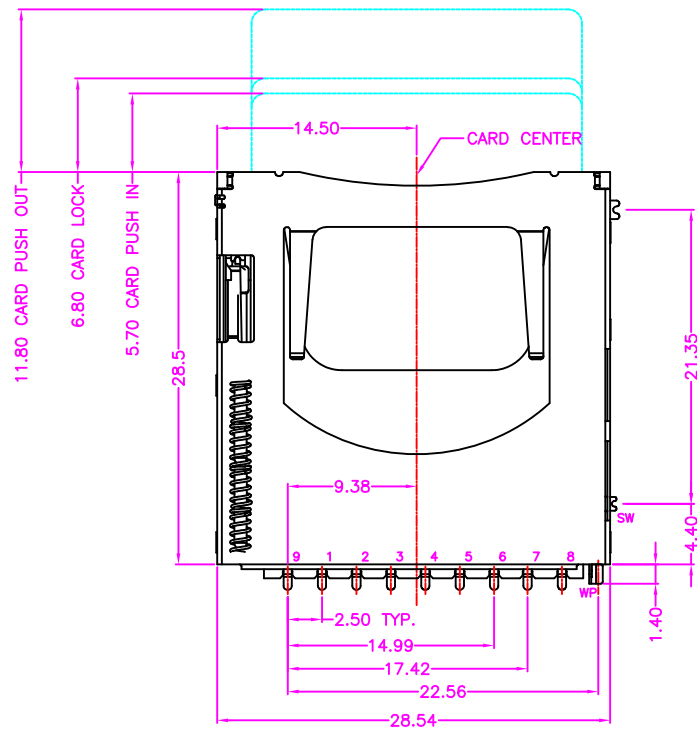
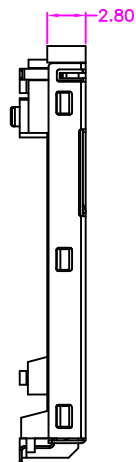


F
E
D
C
B
A



P.C.B LAYOUT
TOP VIEW ±0.05

MATERIALS

HOUSING: LCP (UL 94V-0), BLACK
SHELL: STAINLESS STEEL
PAD: COPPER ALLOY, TIN PLATING
SWITCH: COPPER ALLOY, GOLD PLATING
TERMINAL: COPPER ALLOY, GOLD PLATED

PART NUMBER:

4MCFD - 1 0 * T - 1 2 8

SERIES ——— TAPE REEL PACKAGE
NO. OF POS. ——— TIN PLATING ON SOLDER TAIL

SPECIFICATION

CURRENT RATING: 0.5 AMP MAX
DIELECTRIC WITHSTANDING: 500V AC FOR ONE MINUTE
CONTACT RESISTANCE: 100m OHMS MAX
INSULATION RESISTANCE: 1000M OHMS MIN AT DC 500V
OPERATION TEMPERATURE: -25°C~+85°C

CONTACT PLATED OPTION

- 1: GOLD FLASH
- 3: 3u" GOLD
- 5: 5u" GOLD
- 6: 10u" GOLD
- 7: 15u" GOLD
- 9: 30u" GOLD

PIN NO.	PIN ASSIGNMENT
1	DAT3/CS/CD
2	CMD
3	VSS1
4	VDD
5	CLK
6	VSS2
7	DAT0
8	DAT1
9	DAT2

Cyberconn Technology Co., Ltd.
www.cyberconn.com.tw Tel:+886-3-4951314

TOLERANCES		MEMORY CARD SERIES			
X.X ±0.3		SD CARD, PCB MOUNT, SMT, METAL SHIELD			
X.XX ±0.2		PUSH-PUSH TYPE, FEMALE			
X.XXX ±0.1		DRAWN BY		CHECKED BY	APPROVED BY
Angle ±5°		<i>Janice</i>		<i>Lion</i>	<i>Benson</i>
		UNIT	SCALE	SIZE	DRAW NO.
		10118	MM	NONE	A4
		REV.	Sheet		
		A	1/1		

A	RELEASE	2013.7.15
REV.	DESCRIPTION	DATE