

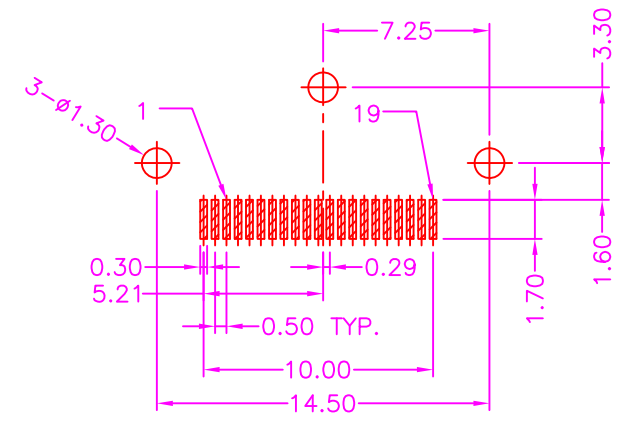
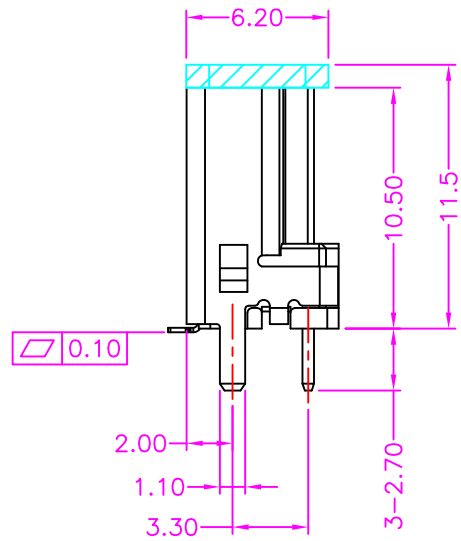
WITHOUT COVER

MATERIALS

HOUSING: HI-TEMP. PLASTIC (UL 94V-0), BLACK  
 SHELL: COPPER ALLOY, NICKEL PLATING  
 TERMINAL: COPPER ALLOY, GOLD PLATED ON CONTACT AREA  
 TIN PLATING ON SOLDER TAIL

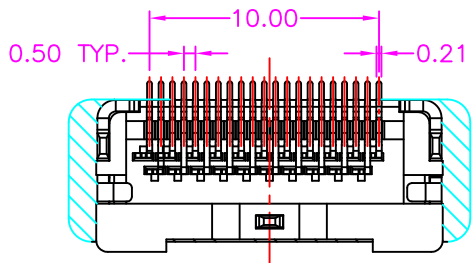
SPECIFICATION

CURRENT RATING: 0.5 AMP MAX  
 DIELECTRIC WITHSTANDING: 500V AC FOR ONE MINUTE  
 CONTACT RESISTANCE: 30m OHMS MAX  
 INSULATION RESISTANCE: 100M OHMS MIN AT DC 500V  
 OPERATION TEMPERATURE: -20°C~+85°C



P.C.B. LAYOUT TOP VIEW ±0.05

GROUND PIN  
 PIN 1  
 PIN 19  
 0.90  
 14.50



PART NUMBER:  
 2HDEA - 1 9 \* T - 1 2 1

SERIES  
 NO. OF POS.  
 TIN PLATING ON SOLDER TAIL  
 TAPE REEL PACKAGE

CONTACT PLATED OPTION

- 1: GOLD FLASH
- 3: 3u" GOLD
- 5: 5u" GOLD
- 7: 15u" GOLD
- 9: 30u" GOLD

<b>Cyberconn Technology Co., Ltd.</b> <small>www.cyberconn.com.tw Tel:+886-3-4951314</small>						
TOLERANCES		TITLE				
X.X ±0.3		HDMI CONNECTOR SERIES				
X.XX ±0.2		HDMI, PCB MOUNT, VERTICAL SMT, METAL SHIELD				
X.XXX ±0.1		DRAWN BY		CHECKED BY		APPROVED BY
Angle ±5°		Janice		Lion		Benson
		UNIT	SCALE	SIZE	DRAW NO.	REV.
10006		MM	NONE	A4	2HDEA-001	A
					Sheet	
					1/1	

A	RELEASE	2013.11.6
REV.	DESCRIPTION	DATE