

PART NUMBER:
4CEEE - * * * T - 1 1 2

SERIES — * * *
 NO. OF POS. REF. TABLE 1 — T
 TRAY PACKAGE — 1 1 2
 TIN PLATING ON SOLDER TAIL

CONTACT PLATED OPTION
 1: GOLD FLASH
 3: 3u" GOLD
 5: 5u" GOLD
 6: 10u" GOLD
 9: 30u" GOLD

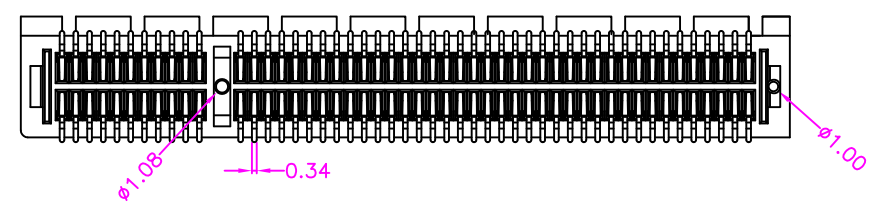
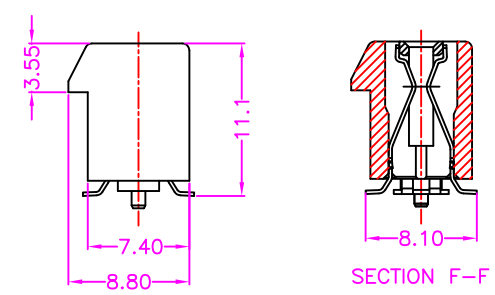
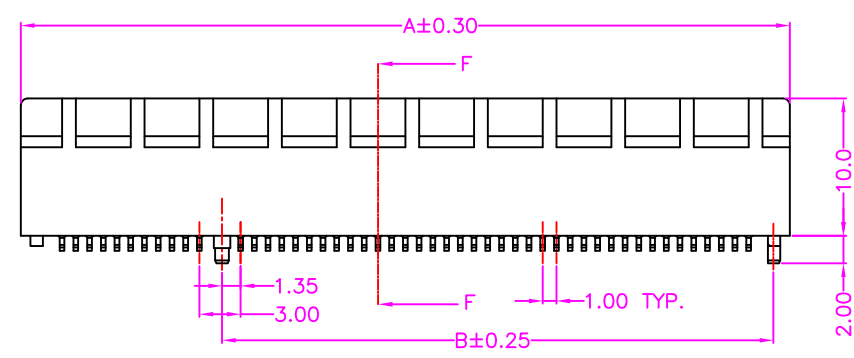


TABLE 1

POS.	A	B	C	D	E
64	39.00	23.15	21.65	20.00	22.15
98	56.00	40.15	38.65	37.00	39.15

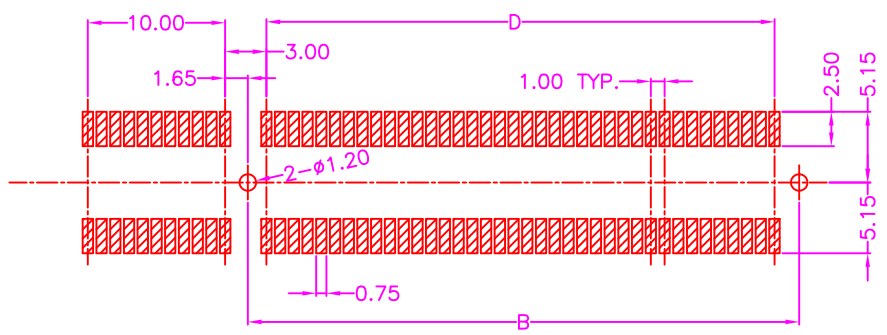
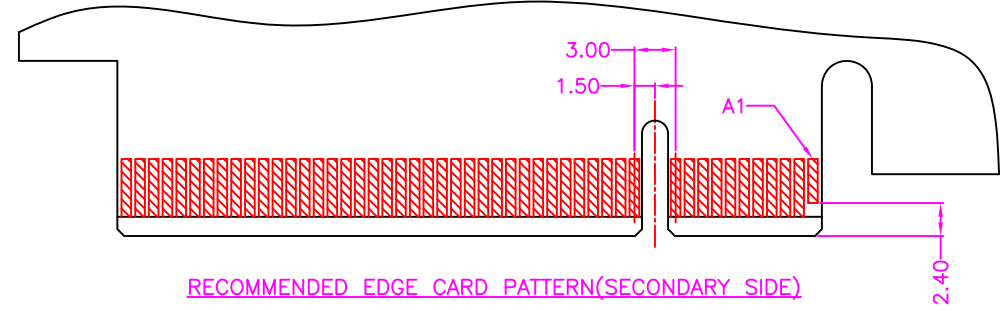
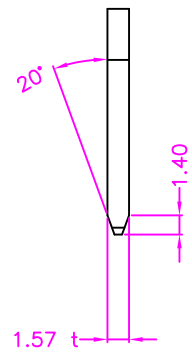
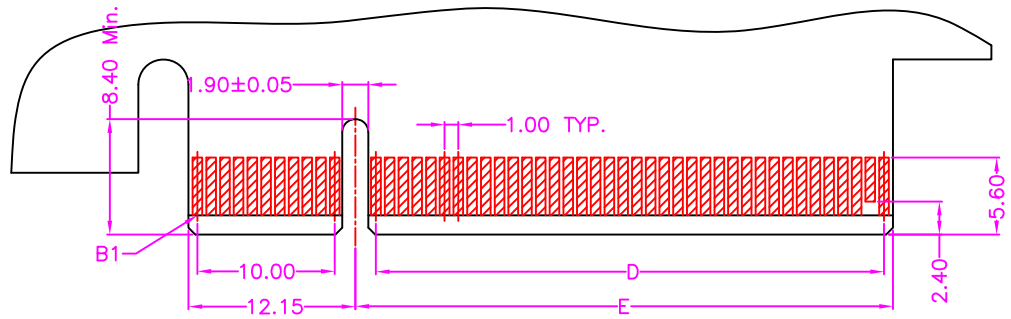
MATERIALS
 HOUSING: HI-TEMP. PLASTIC (UL 94V-0)
 TERMINAL: COPPER ALLOY, GOLD PLATED ON CONTACT AREA
 TIN PLATING ON SOLDER TAIL

SPECIFICATION
 CURRENT RATING: 1.1 AMP MAX
 DIELECTRIC WITHSTANDING: 500V AC FOR ONE MINUTE
 CONTACT RESISTANCE: 30m OHMS MAX
 INSULATION RESISTANCE: 1000M OHMS MIN AT DC 500V
 OPERATION TEMPERATURE: -55°C~+105°C

A	RELEASE	2013.11.13
REV.	DESCRIPTION	DATE

Cyberconn Technology Co., Ltd.
 www.cyberconn.com.tw Tel:+886-3-4951314

TOLERANCES	TITLE	CARD EDGE CONNECTOR SERIES				
X.X ±0.3 X.XX ±0.2 X.XXX ±0.1 Angle ±5°		PCI EXPRESS, 1.00mm PITCH, PCB MOUNT, SMT FEMALE, 1 KEY, WITH POST				
	DRAWN BY	CHECKED BY	APPROVED BY			
	<i>Janice</i>	<i>Lion</i>	<i>Benson</i>			
10033	UNIT	SCALE	SIZE	DRAW NO.	REV.	Sheet
	MM	NONE	A4	4CEEE-002	A	1/2



Cyberconn Technology Co., Ltd.
www.cyberconn.com.tw Tel:+886-3-4951314

TOLERANCES	CARD EDGE CONNECTOR SERIES				
X.X ±0.3	TITLE PCI EXPRESS, 1.00mm PITCH, PCB MOUNT, SMT FEMALE, 1 KEY, WITH POST				
X.XX ±0.2	DRAWN BY		CHECKED BY		APPROVED BY
X.XXX ±0.1	Janice		Lion		Benson
Angle ±5°	UNIT	SCALE	SIZE	DRAW NO.	REV.
	10033	MM	NONE	A4	4CEEE-002
					Sheet
					2/2

A	RELEASE	2013.11.13
REV.	DESCRIPTION	DATE