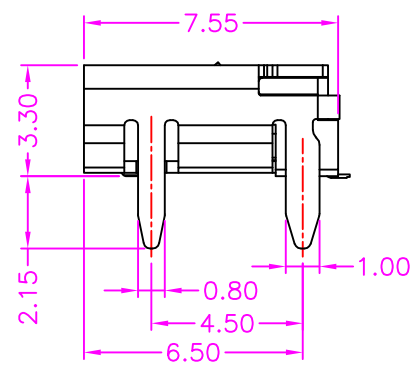
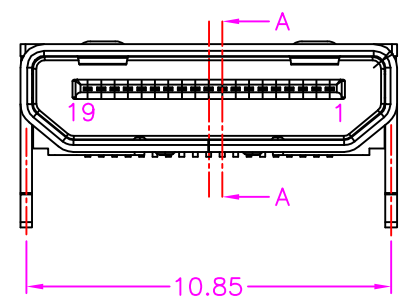


P.C.B LAYOUT
TOP VIEW ±0.05



MATERIALS

HOUSING: HI-TEMP. PLASTIC (UL 94V-0)
SHELL: COPPER ALLOY
TERMINAL: COPPER ALLOY, GOLD PLATED ON CONTACT AREA
TIN PLATING ON SOLDER TAIL

SPECIFICATION

CURRENT RATING: 0.5 AMP MAX
DIELECTRIC WITHSTANDING: 300V AC FOR ONE MINUTE
CONTACT RESISTANCE: 30m OHMS MAX
INSULATION RESISTANCE: 100M OHMS MIN AT DC 500V
OPERATION TEMPERATURE: -25°C~+70°C

PART NUMBER:
2HDHE - 1 9 * T * - 1 2 3

SERIES — NO. OF POS. — CONTACT PLATED OPTION — SHELL PLATING OPTION — TAPE REEL PACKAGE — TIN PLATING ON SOLDER TAIL

CONTACT PLATED OPTION:
1: GOLD FLASH
3: 3u" GOLD
5: 5u" GOLD
6: 10u" GOLD
7: 15u" GOLD
9: 30u" GOLD

SHELL PLATING OPTION:
BLANK: NICKEL
G: GOLD

Cyberconn Technology Co., Ltd.
www.cyberconn.com.tw Tel:+886-3-4951314

TOLERANCES	TITLE	HDMI CONNECTOR SERIES				
X.X ±0.3 X.XX ±0.2 X.XXX±0.1 Angle ±5°		MINI HDMI C TYPE, 0.40mm PITCH, PCB MOUNT, SMT METAL SHIELD, FEMALE, 19PIN, WITH POST				
	DRAWN BY	CHECKED BY	APPROVED BY			
	Janice	Lion	Benson			
UNIT	SCALE	SIZE	DRAW NO.	REV.	Sheet	
10006	MM	NONE	A4	2HDHE-003	A 1/1	

A	RELEASE	2013.10.11
REV.	DESCRIPTION	DATE