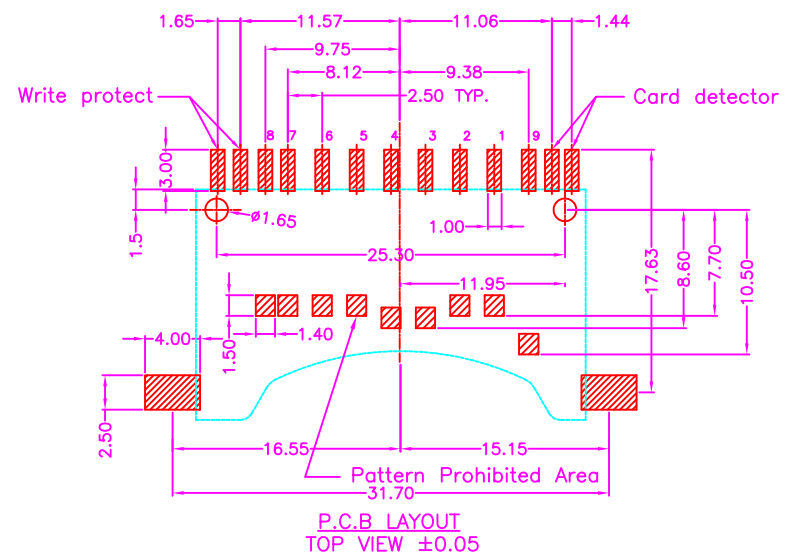
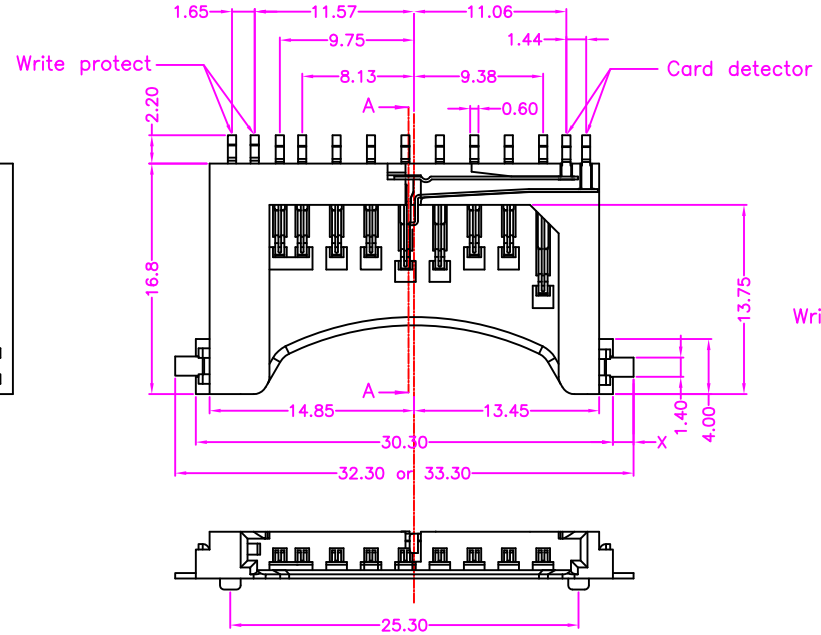
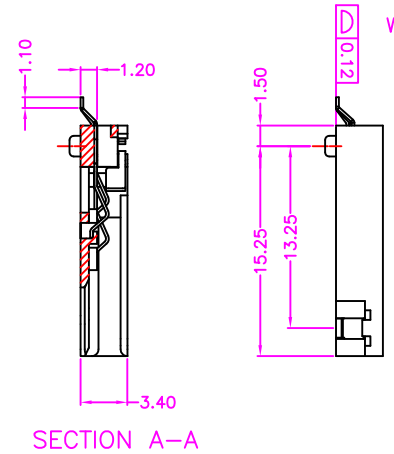


**MATERIALS**

HOUSING: HI-TEMP. PLASTIC (UL 94V-0)  
 SODER PAD: COPPER ALLOY, TIN PLATING  
 TERMINAL: COPPER ALLOY, GOLD PLATED ON CONTACT AREA  
 TIN PLATING ON SOLDER TAIL

**SPECIFICATION**

CURRENT RATING: 1 AMP MAX  
 DIELECTRIC WITHSTANDING: 500V AC FOR ONE MINUTE  
 CONTACT RESISTANCE: 60m OHMS MAX  
 INSULATION RESISTANCE: 1000M OHMS MIN AT DC 500V  
 OPERATION TEMPERATURE: -25°C~+85°C



PIN#	NAME
1	CD/DAT3
2	CMD
3	VSS1
4	VDD
5	CLK
6	VSS2
7	DAT0
8	DAT1
9	DAT2

PART NUMBER:  
 4MCFB - 1 3 \* T - 1 2 4 \*

SERIES  
 NO. OF POS.  
 CONTACT PLATED OPTION  
 1: GOLD FLASH  
 3: 3u" GOLD  
 5: 5u" GOLD  
 6: 10u" GOLD  
 7: 15u" GOLD  
 9: 30u" GOLD

T  
 TAPE REEL PACKAGE  
 DIM "X" OPTION  
 0:1.00mm  
 1:1.50mm  
 TIN PLATING ON SOLDER TAIL

A	RELEASE	2013.10.11
REV.	DESCRIPTION	DATE

**Cyberconn Technology Co., Ltd.**  
 www.cyberconn.com.tw Tel:+886-3-4951314

TOLERANCES	MEMORY CARD SERIES					
X.X ±0.3 X.XX ±0.2 X.XXX±0.1 Angle ±5°	TITLE	SD CARD, PCB MOUNT, SMT, ALL PLASTIC FEMALE, SHORT TYPE				
	DRAWN BY	CHECKED BY		APPROVED BY		
	Janice	Lion		Benson		
UNIT	SCALE	SIZE	DRAW NO.	REV.	Sheet	
10130	MM	NONE	A4	4MCFB-004	A 1/1	