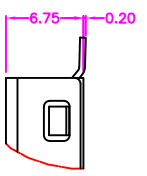


MATERIALS

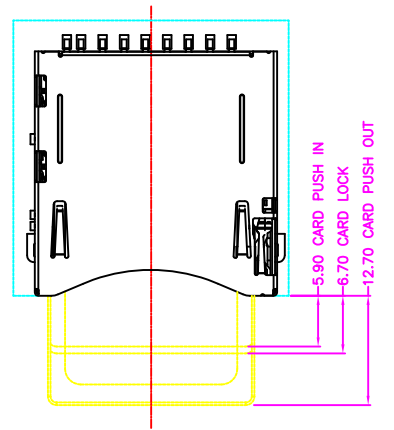
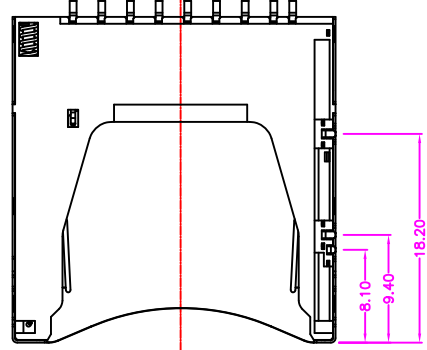
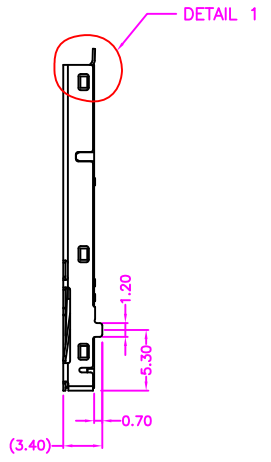
HOUSING: HI-TEMP. PLASTIC (UL 94V-0), BLACK
 SHELL: STAINLESS STEEL
 SWITCH: COPPER ALLOY, GOLD PLATING
 TERMINAL: COPPER ALLOY, GOLD PLATED

SPECIFICATION

CURRENT RATING: 0.5 AMP MAX
 DIELECTRIC WITHSTANDING: 500V AC FOR ONE MINUTE
 CONTACT RESISTANCE: 60m OHMS MAX
 INSULATION RESISTANCE: 1000M OHMS MIN AT DC 500V
 OPERATION TEMPERATURE: -25°C~+85°C



DETAIL SCALE 1/5

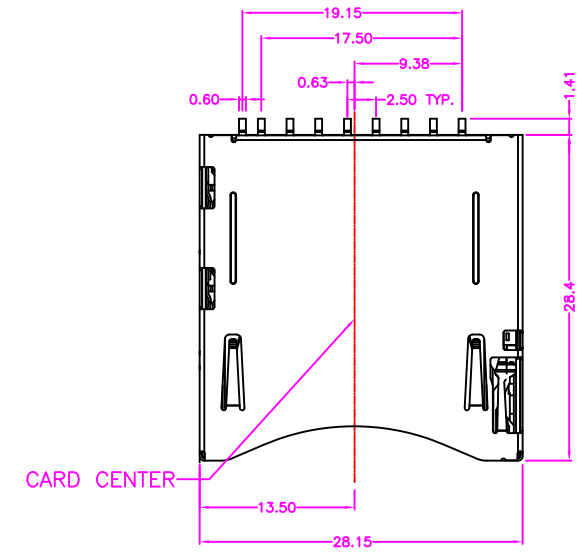


PART NUMBER:
4MCFD - 09 * - 1 2 7
 SERIES ——— NO. OF POS. ——— TAPE REEL PACKAGE

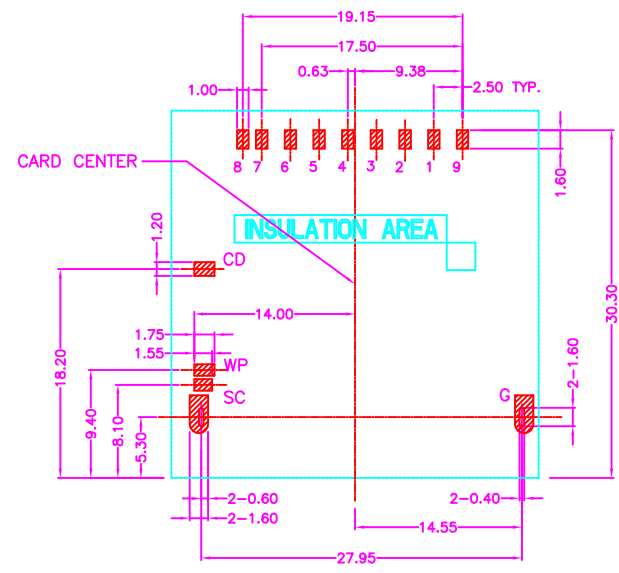
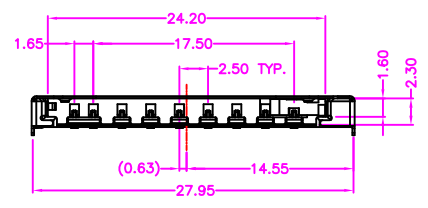
CONTACT PLATED OPTION

- 1: GOLD FLASH
- 3: 3u" GOLD
- 5: 5u" GOLD
- 6: 10u" GOLD
- 7: 15u" GOLD
- 9: 30u" GOLD

Card detection switch		Write protection switch		
When card is ejected	When card is inserted	When card is ejected	When card is inserted	
OPEN	CLOSE	OPEN	Write protect	Write enable
Cd	Cd	Wp	Wp	Wp
Sc	Sc	Sc	Sc	Sc



CARD CENTER



P.C.B LAYOUT TOP VIEW ±0.05

PIN NO.	PIN ASSIGNMENT	PIN NO.	PIN ASSIGNMENT
1	DAT3/CS/CD	8	DAT1
2	CMD	9	DAT2
3	VSS1	Wp	WRITE PROTECTION
4	VDD	Cd	CARD DETECTION
5	CLK	Sc	COMMON PIN
6	VSS2	G	SDIO / GROUND
7	DATO		

A	RELEASE	2013.6.28
REV.	DESCRIPTION	DATE

Cyberconn Technology Co., Ltd.
 www.cyberconn.com.tw Tel:+886-3-4951314

TOLERANCES	MEMORY CARD SERIES				
X.X ±0.3	SD CARD, PCB MOUNT, SMT, METAL SHIELD				
X.XX ±0.2	PUSH-PUSH TYPE, FEMALE				
X.XXX ±0.1	DRAWN BY	CHECKED BY	APPROVED BY		
Angle ±5°	<i>Janice</i>	<i>Lion</i>	<i>Benson</i>		
	UNIT	SCALE	SIZE	DRAW NO.	REV.
	10022	MM	NONE	A4	4MCFD-007
					Sheet
					1/1