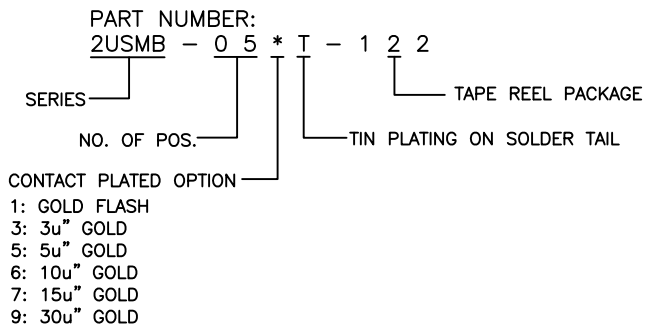


MATERIALS

HOUSING: HI-TEMP. PLASTIC (UL 94V-0)
 SHELL: COPPER ALLOY, NICKEL PLATING
 TERMINAL: COPPER ALLOY, GOLD PLATED ON CONTACT AREA
 TIN PLATING ON SOLDER TAIL

SPECIFICATION

CURRENT RATING: 1 AMP MAX
 DIELECTRIC WITHSTANDING: 100V AC FOR ONE MINUTE
 CONTACT RESISTANCE: 50m OHMS MAX
 INSULATION RESISTANCE: 100M OHMS MIN AT DC 100V
 OPERATION TEMPERATURE: -25°C~+85°C



Cyberconn Technology Co., Ltd.
 www.cyberconn.com.tw Tel:+886-3-4951314

TOLERANCES	TITLE	USB CONNECTOR SERIES				
X.X ±0.3	MINI USB, B TYPE, PCB MOUNT, SMT, METAL SHIELD FEMALE	DRAWN BY		CHECKED BY	APPROVED BY	
X.XX ±0.2		Janice		Lion	Benson	
X.XXX ±0.1		UNIT	SCALE	SIZE	DRAW NO.	REV.
Angle ±5°		MM	NONE	A4	2USMB-002	A
					Sheet	
					1/1	

A	RELEASE	2012.8.23
REV.	DESCRIPTION	DATE