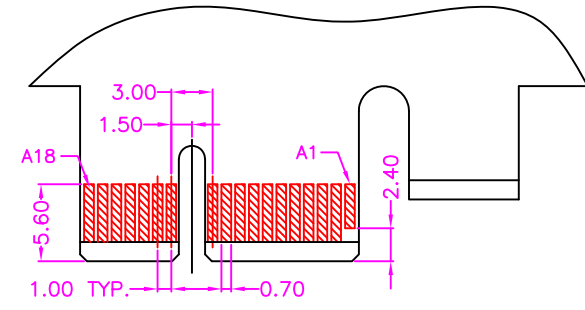
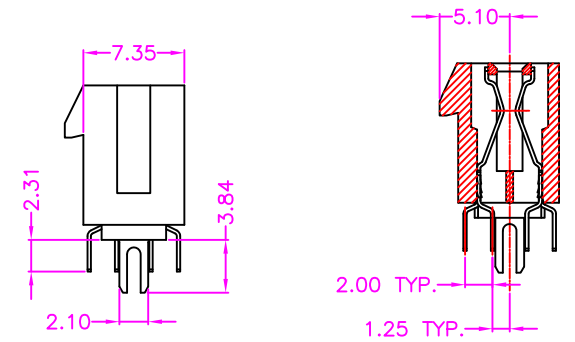
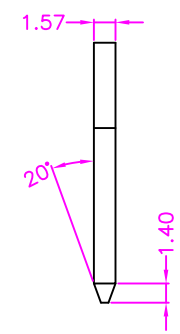


RECOMMENDED EDGE CARD PATTERN(PRIMARY SIDE)



RECOMMENDED EDGE CARD PATTERN(SECONDARY SIDE)



SECTION A-A

PART NUMBER:

4CEEB - 3 6 * T - 1 5 4

SERIES — NO. OF POS. — TIN PLATING ON SOLDER TAIL — BOX PACKAGE

CONTACT PLATED OPTION

- 1: GOLD FLASH
- 3: 3u" GOLD
- 5: 5u" GOLD
- 6: 10u" GOLD
- 7: 15u" GOLD
- 9: 30u" GOLD

MATERIALS

HOUSING: THERMOPLASTIC (UL 94V-0)
 BOARDLOCK: COPPER ALLOY, NICKEL PLATING
 TERMINAL: COPPER ALLOY, GOLD PLATED ON CONTACT AREA
 TIN PLATING ON SOLDER TAIL

SPECIFICATION

CURRENT RATING: 1.1 AMP MAX
 DIELECTRIC WITHSTANDING: 500V AC FOR ONE MINUTE
 CONTACT RESISTANCE: 30m OHMS MAX
 INSULATION RESISTANCE: 1000M OHMS MIN AT DC 500V
 OPERATION TEMPERATURE: -55°C~+105°C

A	RELEASE	2013.10.7
REV.	DESCRIPTION	DATE

Cyberconn Technology Co., Ltd.
 www.cyberconn.com.tw Tel:+886-3-4951314

TOLERANCES	CARD EDGE CONNECTOR SERIES				
X.X ±0.3	TITLE PCI EXPRESS, 1.00mm PITCH, PCB MOUNT, VERTICAL, FEMALE, 1 KEY, WITH BOARDLOCK, 36 PIN				
X.XX ±0.2	DRAWN BY	CHECKED BY	APPROVED BY		
X.XXX ±0.1	Janice	Lion	Benson		
Angle ±5°	UNIT	SCALE	SIZE	DRAW NO.	REV.
	10033	MM	NONE	A4	4CEEB-004
					Sheet
					1/1