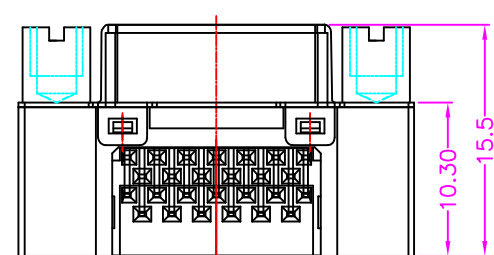
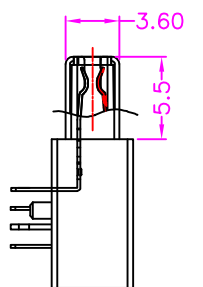
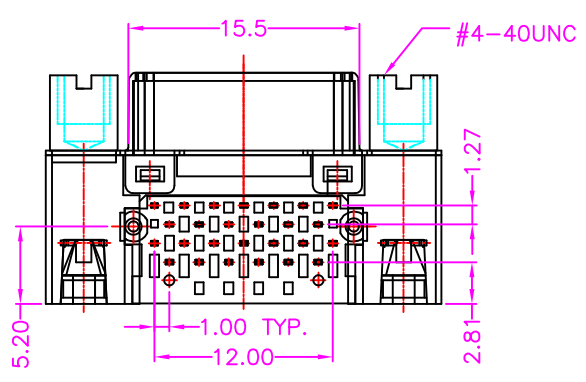


PART NUMBER:  
**2SCDG - 4 2 6 \* T - 1 1 1**

SERIES ——— 2  
 PCB LAYOUT STYLE 4 ——— 4  
 NO. OF POS. ——— 6  
 CONTACT PLATED OPTION ——— \*  
 TRAY PACKAGE ——— T  
 TIN PLATING ON SOLDER TAIL ——— 1 1 1

CONTACT PLATED OPTION  
 1: GOLD FLASH  
 3: 3u" GOLD  
 5: 5u" GOLD  
 6: 10u" GOLD  
 7: 15u" GOLD  
 9: 30u" GOLD

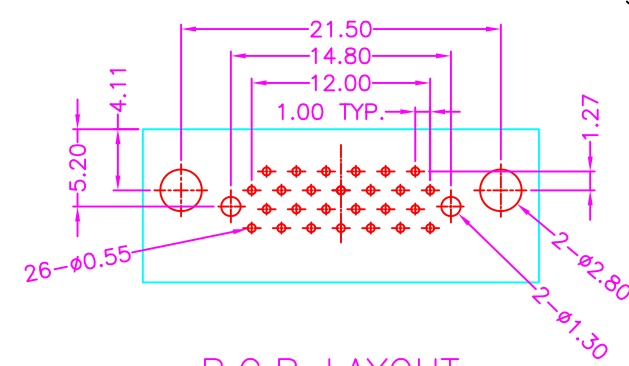
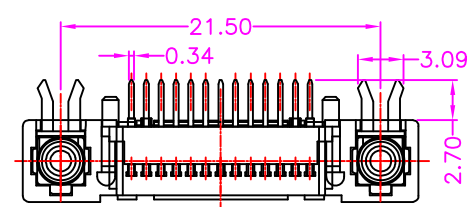


**MATERIALS**

HOUSING: LCP (UL 94V-0), BLACK  
 SHELL: STEEL, NICKEL PLATING  
 BOARD LOCK: COPPER ALLOY, TIN PLATING  
 SCREW: STEEL, NICKEL PLATING  
 TERMINAL: COPPER ALLOY, GOLD PLATED ON CONTACT AREA  
 TIN PLATING ON SOLDER TAIL

**SPECIFICATION**

CURRENT RATING: 0.5 AMP MAX  
 DIELECTRIC WITHSTANDING: 500V AC FOR ONE MINUTE  
 CONTACT RESISTANCE: 90m OHMS MAX  
 INSULATION RESISTANCE: 1000M OHMS MIN AT DC 500V  
 OPERATION TEMPERATURE: -55°C~+85°C



P.C.B LAYOUT  
 TOP VIEW ±0.05

<b>Cyberconn Technology Co., Ltd.</b> www.cyberconn.com.tw Tel:+886-3-4951314						
TOLERANCES		TITLE	SCSI CONNECTOR SERIES			
X.X	±0.3		CENTRONIC SCSI, STYLE 4, 1.00mm PITCH			
X.XX	±0.2	PCB MOUNT, R/A, METAL SHIELD, FEMALE, 26PIN				
X.XXX	±0.1	WITH BOARDLOCK & SCREW				
Angle	±5°	DRAWN BY	CHECKED BY	APPROVED BY		
		<i>Janice</i>	<i>Lion</i>	<i>Benson</i>		
UNIT	SCALE	SIZE	DRAW NO.	REV.	Sheet	
10130	MM	NONE	A4	2SCDG-001	A 1/1	

A	RELEASE	2012.5.31
REV.	DESCRIPTION	DATE