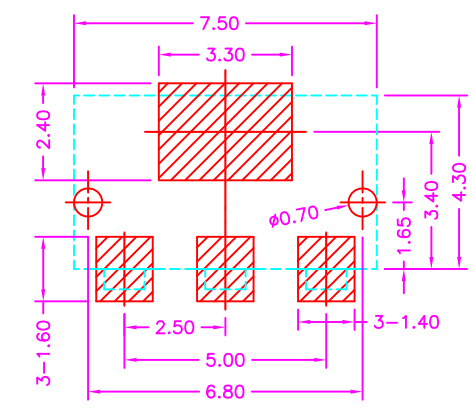
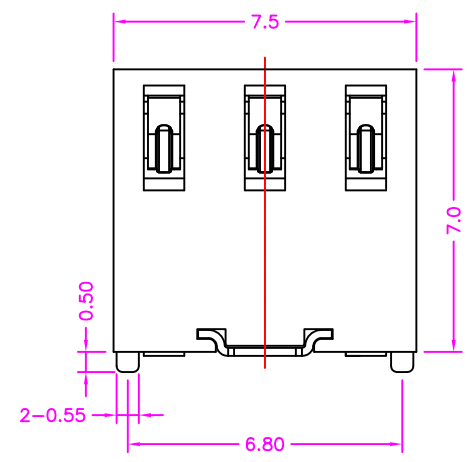
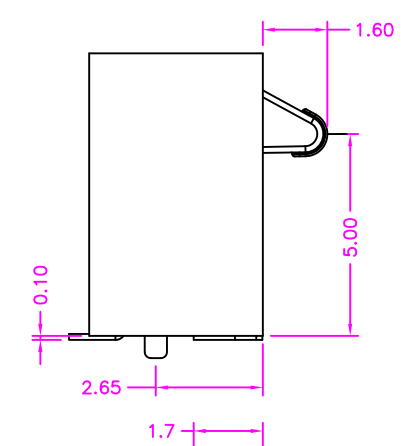


PART NUMBER:
1BT**0**CY - **0** **3** * - **1** **2** **2**

SERIES ——— NO. OF POS. ——— TAPE REEL PACKAGE

CONTACT PLATED OPTION ———

- 1: GOLD FLASH
- 3: 3u" GOLD
- 5: 5u" GOLD
- 6: 10u" GOLD
- 7: 15u" GOLD
- 9: 30u" GOLD



P.C.B LAYOUT
 TOP VIEW ±0.05

MATERIALS

HOUSING: LCP (UL 94V-0)
 SOLDER PAD: COPPER ALLOY, TIN PLATED
 TERMINAL: COPPER ALLOY, GOLD PLATED

SPECIFICATION

CURRENT RATING: 3 AMP MAX
 DIELECTRIC WITHSTANDING: 1000V AC FOR ONE MINUTE
 CONTACT RESISTANCE: 50m OHMS MAX
 INSULATION RESISTANCE: 1000M OHMS MIN AT DC 500V
 OPERATION TEMPERATURE: -20°C~+80°C

A	RELEASE	2013.4.26
REV.	DESCRIPTION	DATE

Cyberconn Technology Co., Ltd.
 www.cyberconn.com.tw Tel:+886-3-4951314

TOLERANCES		BATTERY CONNECTOR SERIES				
X.X ±0.3		TITLE BATTERY, 2.50mm PITCH, PCB MOUNT, R/A SMT, FEMALE WITH PAD & POST, H=7.00mm				
X.XX ±0.2		DRAWN BY		CHECKED BY		APPROVED BY
X.XXX ±0.1		<i>Janice</i>		<i>Lion</i>		<i>Benson</i>
Angle ±5°		UNIT	SCALE	SIZE	DRAW NO.	REV. Sheet
		10065	MM	NONE	A4	1BTCY-002 A 1/1