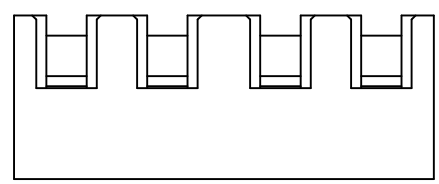
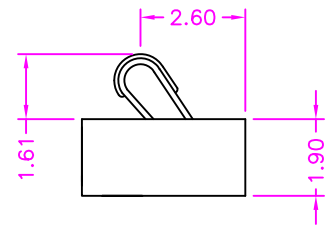
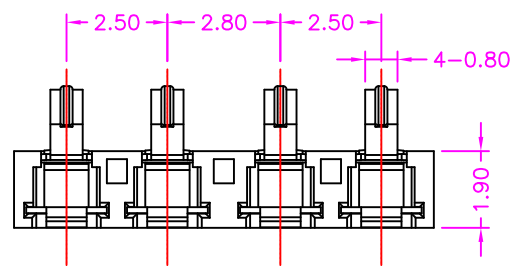
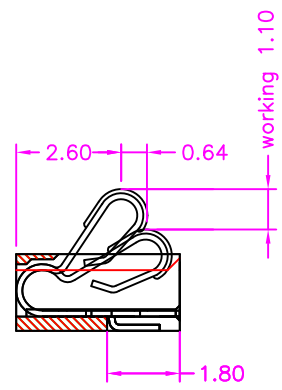


P.C.B LAYOUT
TOP VIEW ±0.05

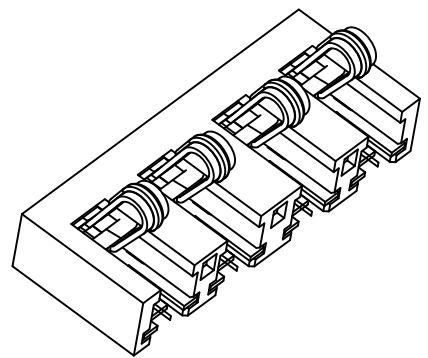


MATERIALS

HOUSING: LCP (UL 94V-0)
TERMINAL: COPPER ALLOY, GOLD PLATED

SPECIFICATION

CURRENT RATING: 1 AMP MAX
DIELECTRIC WITHSTANDING: 1000V AC FOR ONE MINUTE
CONTACT RESISTANCE: 50m OHMS MAX
INSULATION RESISTANCE: 1000M OHMS MIN AT DC 500V
OPERATION TEMPERATURE: -20°C~+80°C



PART NUMBER:
1BTCK - 0 4 * - 1 2 2

SERIES — NO. OF POS. — TAPE REEL PACKAGE

CONTACT PLATED OPTION

- 1: GOLD FLASH
- 3: 3u" GOLD
- 5: 5u" GOLD
- 6: 10u" GOLD
- 7: 15u" GOLD
- 9: 30u" GOLD

A	RELEASE	2013.5.24
REV.	DESCRIPTION	DATE

Cyberconn Technology Co., Ltd. www.cyberconn.com.tw Tel:+886-3-4951314						
TOLERANCES		BATTERY CONNECTOR SERIES				
X.X ±0.3		TITLE BATTERY, 2.50mm PITCH, PCB MOUNT, VERTICAL SMT FEMALE, 4PIN				
X.XX ±0.2		DRAWN BY		CHECKED BY		APPROVED BY
X.XXX ±0.1		Janice		Lion		Benson
Angle ±5°		UNIT		SCALE	SIZE	DRAW NO.
		MM		NONE	A4	1BTCK-002
		REV.	Sheet			
		A	1/1			