

1 2 3 4 5 6 7 8

F

F

E

E

D

D

C

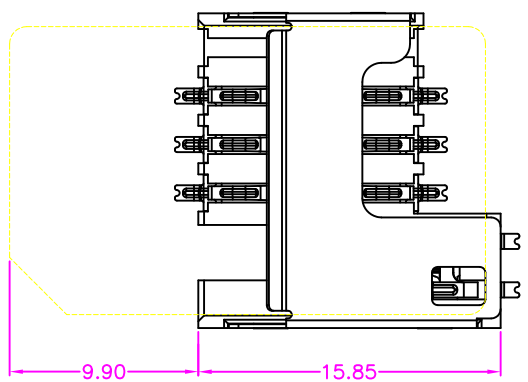
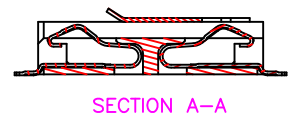
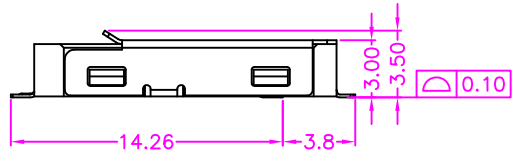
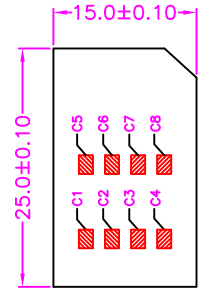
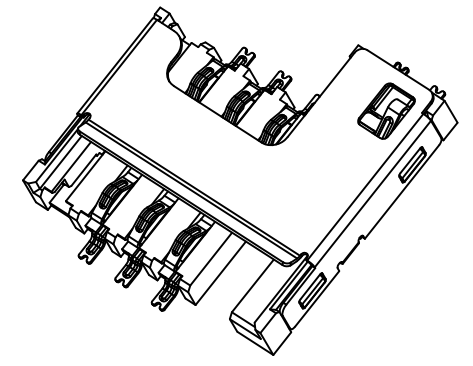
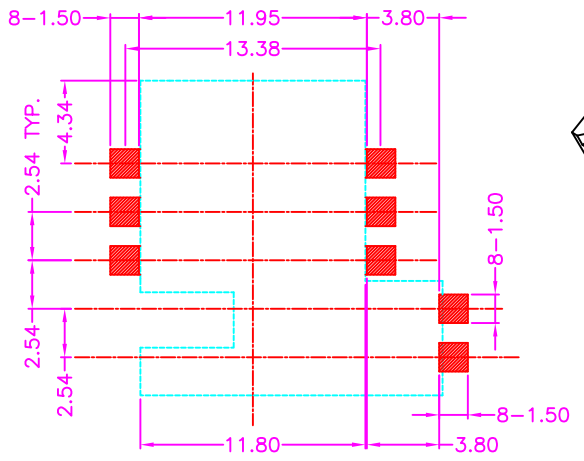
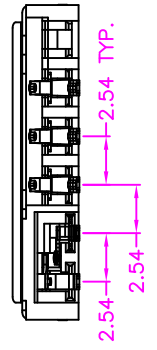
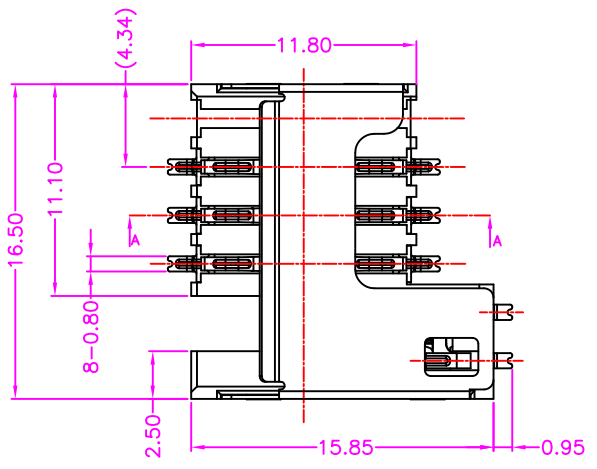
C

B

B

A

A



PART NUMBER:  
4MCGG - 0 6 \* - 1 2 1

SERIES — NO. OF POS. — TAPE REEL PACKAGE

- CONTACT PLATED OPTION
- 1: GOLD FLASH
  - 3: 3u" GOLD
  - 5: 5u" GOLD
  - 6: 10u" GOLD
  - 7: 15u" GOLD
  - 9: 30u" GOLD

**MATERIALS**

HOUSING: HI-TEMP. PLASTIC (UL 94V-0)  
SHELL: STAINLESS STEEL  
TERMINAL: COPPER ALLOY, GOLD PLATED

**SPECIFICATION**

CURRENT RATING: 0.5 AMP MAX  
DIELECTRIC WITHSTANDING: 500V AC FOR ONE MINUTE  
CONTACT RESISTANCE: 100m OHMS MAX  
INSULATION RESISTANCE: 1000M OHMS MIN AT DC 500V  
OPERATION TEMPERATURE: -40°C~+85°C  
SWITCH TYPE:NORMAL OPEN

Connector POS. NO.	DESCRIPTION
Pin 1	VCC:PWR signal and GND
Pin 2	RST:Reset signal
Pin 3	CLK:Clocking signal
Pin 4	Reserved
Pin 5	VCC:PWR signal and GND
Pin 6	VPP:Porgramming Voltage
Pin 7	I/O:Serial date input/output
Pin 8	Reserved

**Cyberconn Technology Co., Ltd.**  
www.cyberconn.com.tw Tel:+886-3-4951314

TOLERANCES		TITLE					
X.X ±0.3		MEMORY CARD SERIES SIM CARD, 6PIN, PCB MOUNT, SMT, METAL SHIELD FEMALE WITH SWITCH					
X.XX ±0.2							
X.XXX ±0.1 Angle ±5°							
		DRAWN BY		CHECKED BY		APPROVED BY	
		<i>Janice</i>		<i>Lion</i>		<i>Benson</i>	
10023		UNIT	SCALE	SIZE	DRAW NO.	REV.	Sheet
		MM	NONE	A4	4MCGG-001	A	1/1

A	RELEASE	2013.7.12
REV.	DESCRIPTION	DATE

1 2 3 4 5 6 7 8