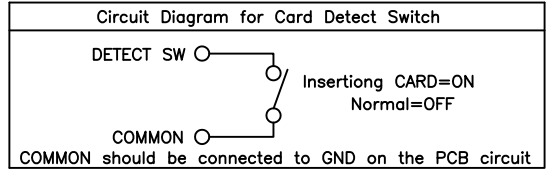


P.C.B. LAYOUT
TOP VIEW ±0.05



MATERIALS
 HOUSING: HI-TEMP. PLASTIC (UL 94V-0), BLACK
 SHELL: STAINLESS STEEL
 PAD: STAINLESS STEEL, GOLD PLATING
 TERMINAL: COPPER ALLOY, GOLD PLATED

SPECIFICATION
 CURRENT RATING: 0.5 AMP MAX
 DIELECTRIC WITHSTANDING: 500V AC FOR ONE MINUTE
 CONTACT RESISTANCE: 100m OHMS MAX
 INSULATION RESISTANCE: 1000M OHMS MIN AT DC 500V
 OPERATION TEMPERATURE: -25°C~+85°C

PART NUMBER:
 4MCKD - 1 2 * T - 1 2 8

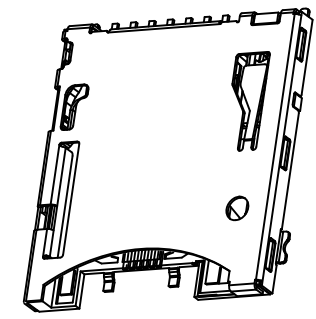
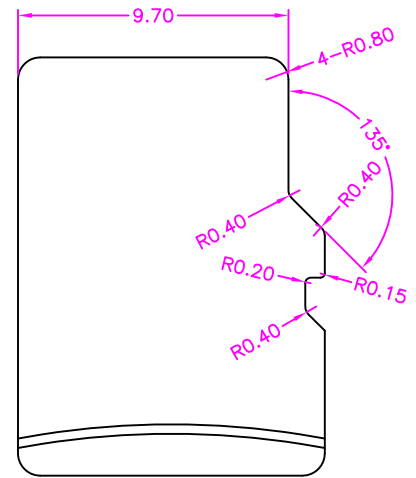
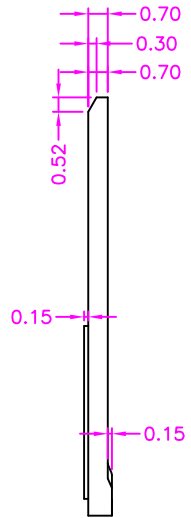
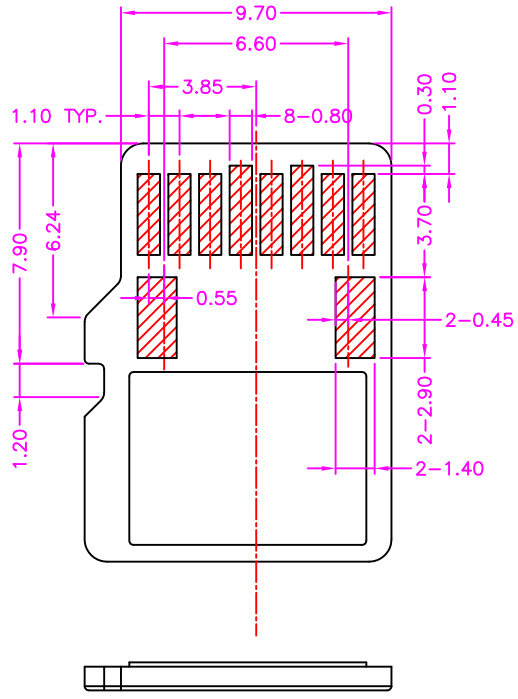
SERIES: 4MCKD
 NO. OF POS.: 1 2
 T: TIN PLATING ON SOLDER TAIL
 TAPE REEL PACKAGE: 1 2 8

TERMINAL PLATED OPTION
 1: GOLD FLASH
 3: 3u" GOLD
 5: 5u" GOLD
 6: 10u" GOLD
 7: 15u" GOLD
 9: 30u" GOLD

A	RELEASE	2013.7.5
REV.	DESCRIPTION	DATE

Cyberconn Technology Co., Ltd.
 www.cyberconn.com.tw Tel:+886-3-4951314

TOLERANCES	MEMORY CARD SERIES				
X.X ±0.3	TITLE	MICRO SD 10PIN, PCB MOUNT, SMT, METAL SHIELD PUSH-PUSH TYPE, FEMALE			
X.XX ±0.2	DRAWN BY	CHECKED BY	APPROVED BY		
X.XXX ±0.1	Janice	Lion	Benson		
Angle ±5°	UNIT	SCALE	SIZE	DRAW NO.	REV.
	10065	MM	NONE	A4	4MCKD-008
					Sheet
					1/2



PIN NO.	DISCRIPTION
Pin 1	DAT2:Data line
Pin 2	CD/DAT3:card Detect/Data line
Pin 3	CMD:command/Response
Pin 4	VDD: Supply voltage
Pin 5	CLK:Clock
Pin 6	VSS:Supply voltage ground
Pin 7	DAT0:Data line
Pin 8	DAT1:Data line
Pin 9	ANT1
Pin 10	ANT2
Pin 11	DETECT SW(GND)
Pin 12	DETECT SW(CD)
GND	Cover GND

Cyberconn Technology Co., Ltd.
 www.cyberconn.com.tw Tel:+886-3-4951314

TOLERANCES		MEMORY CARD SERIES					
X.X ±0.3		TITLE MICRO SD 10PIN, PCB MOUNT, SMT, METAL SHIELD					
X.XX ±0.2		PUSH-PUSH TYPE, FEMALE					
X.XXX±0.1		DRAWN BY		CHECKED BY		APPROVED BY	
Angle ±5°		<i>Janice</i>		<i>Lion</i>		<i>Benson</i>	
		UNIT	SCALE	SIZE	DRAW NO.	REV.	Sheet
10065		MM	NONE	A4	4MCKD-008	A	2/2

A	RELEASE	2013.7.5
REV.	DESCRIPTION	DATE