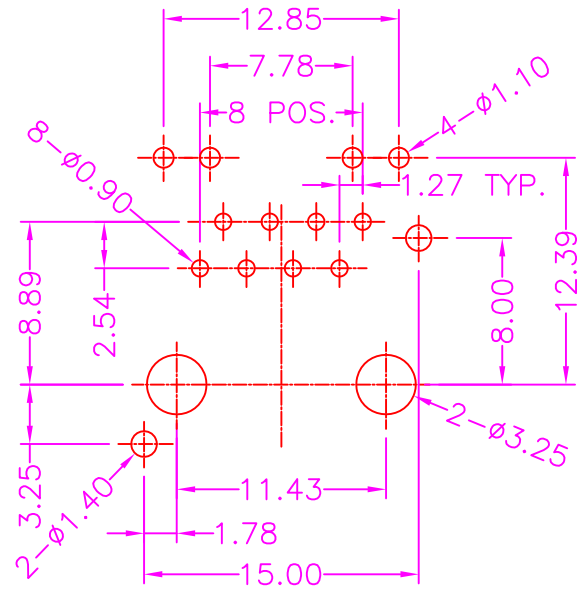
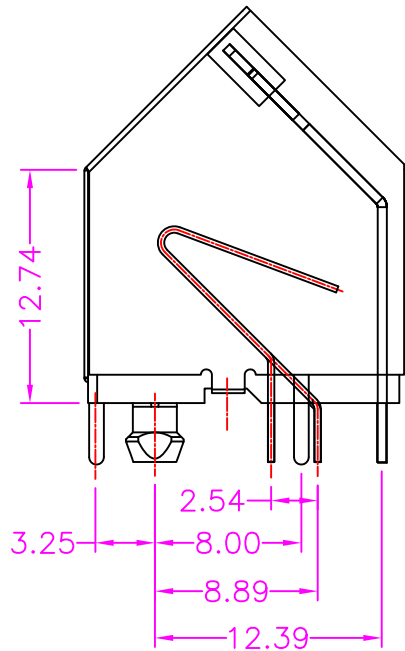
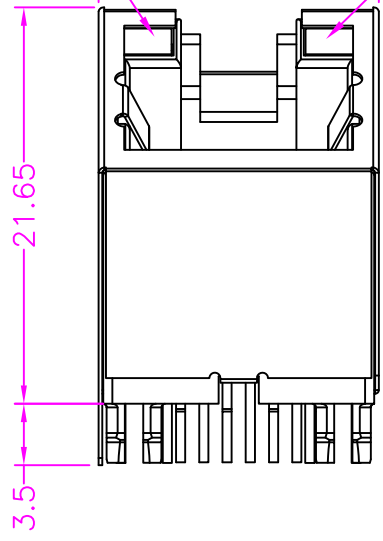
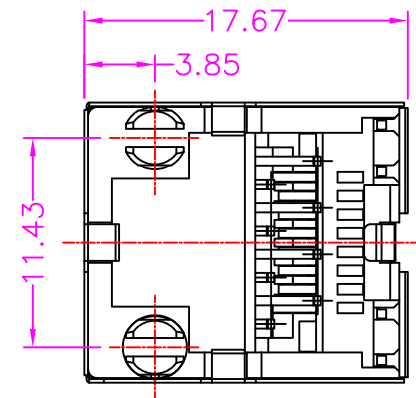


LED 1 15.3 LED 2



P.C.B LAYOUT TOP VIEW ±0.05



MATERIALS

HOUSING: THERMOPLASTIC (UL 94V-0)
SHELL: COPPER ALLOY, NICKEL PLATING
TERMINAL: COPPER ALLOY, GOLD PLATED ON CONTACT AREA
TIN PLATING ON SOLDER TAIL

SPECIFICATION

CURRENT RATING: 1.5 AMP MAX
DIELECTRIC WITHSTANDING: 500V AC FOR ONE MINUTE
CONTACT RESISTANCE: 30m OHMS MAX
INSULATION RESISTANCE: 1000M OHMS MIN AT DC 500V
OPERATION TEMPERATURE: -40°C~+85°C

PART NUMBER:

3MJHI - 8 8 * T - 1 1 1 *

SERIES
8 POSITION & 8 CONTACT
CONTACT PLATED OPTION
1: GOLD FLASH
3: 3u" GOLD
5: 5u" GOLD
7: 15u" GOLD
9: 30u" GOLD
11: 6u" GOLD
LED COLOR OPTION REF. TABLE 1
TRAY PACKAGE
TIN PLATING ON SOLDER TAIL

TABLE 1

LED OPTION		
P/N	LED 1	LED 2
1	YELLOW	GREEN
2	GREEN	YELLOW
3	YELLOW	YELLOW
4	GREEN	GREEN
5	GREEN/ ORANGE	YELLOW
6	GREEN/ YELLOW	YELLOW

Cyberconn Technology Co., Ltd.
www.cyberconn.com.tw Tel:+886-3-4951314

TOLERANCES	MODULAR JACK SERIES					
X.X ±0.3	TITLE RJ45, PCB MOUNT, 45 DEGREE, METAL SHIELD WITH LED					
X.XX ±0.2	DRAWN BY		CHECKED BY		APPROVED BY	
X.XXX ±0.1	Janice		Lion		Benson	
Angle ±5°	UNIT	SCALE	SIZE	DRAW NO.	REV.	Sheet
	10108	MM	NONE	A4	3MJHI-001	A 1/1

A	RELEASE	2013.3.21
REV.	DESCRIPTION	DATE