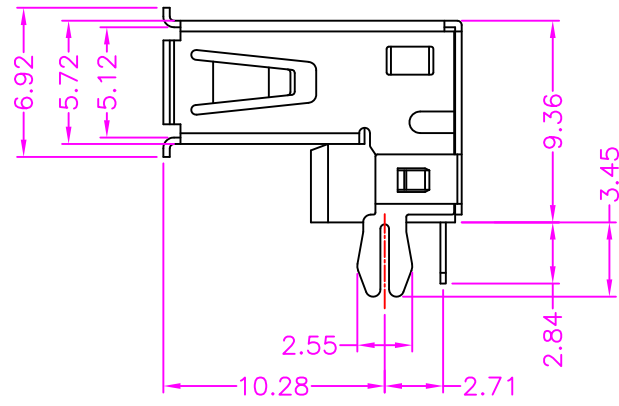
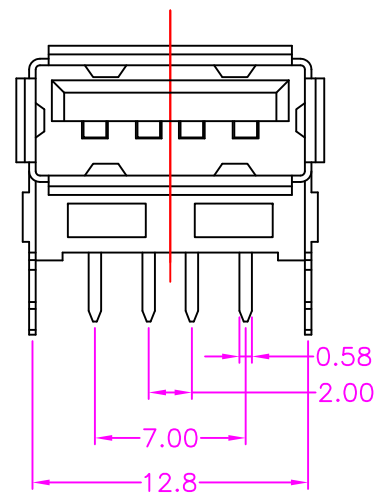


P.C.B. LAYOUT  
TOP VIEW ±0.05



MATERIALS

HOUSING: THERMOPLASTIC (UL 94V-0)  
 SHELL: COPPER ALLOY, NICKEL PLATING  
 TERMINAL: COPPER ALLOY, GOLD PLATING ON CONTACT AREA  
 TIN PLATING ON SOLDER TAIL

SPECIFICATION

CURRENT RATING: 1 AMP MAX  
 DIELECTRIC WITHSTANDING: 500V AC FOR ONE MINUTE  
 CONTACT RESISTANCE: 30m OHMS MAX  
 INSULATION RESISTANCE: 1000M OHMS MIN AT DC 500V  
 OPERATION TEMPERATURE: -25°C~+85°C

PART NUMBER:

2USAC - 0 4 \* T - 1 1 6

SERIES ——— TRAY PACKAGE  
 NO. OF POS. ——— TIN PLATING ON SOLDER TAIL

CONTACT PLATED OPTION

- 1: GOLD FLASH
- 3: 3u" GOLD
- 5: 5u" GOLD
- 6: 10u" GOLD
- 7: 15u" GOLD
- 9: 30u" GOLD

<b>Cyberconn Technology Co., Ltd.</b> <small>www.cyberconn.com.tw Tel:+886-3-4951314</small>						
TOLERANCES		USB CONNECTOR SERIES				
X.X ±0.3		TITLE USB A TYPE, PCB MOUNT, R/A, METAL SHIELD FEMALE, H=9.36mm				
X.XX ±0.2		DRAWN BY		CHECKED BY		APPROVED BY
X.XXX ±0.1		<i>Janice</i>		<i>Lion</i>		<i>Benson</i>
Angle ±5°		UNIT		SCALE	SIZE	DRAW NO.
		MM	NONE	A4	2USAC-006	REV. A
10006&10057						Sheet 1/1

A	RELEASE	2013.6.16
REV.	DESCRIPTION	DATE