

PART NUMBER:  
**2DBDC - 0 9 \* T \* - 2 1 3 \* \***

SERIES ————  
 NO. OF POS. ————

CONTACT PLATED OPTION  
 1: GOLD FLASH  
 3: 3u" GOLD  
 5: 5u" GOLD  
 6: 10u" GOLD  
 7: 15u" GOLD  
 9: 30u" GOLD

TIN PLATING ON SOLDER TAIL

RoHS & HALOGEN FREE OPTION  
 BLANK: RoHS COMPLIANT  
 F: RoHS & HALOGEN COMPLIANT

SCREW TYPE OPTION  
 REF. TABLE 1

TRAY PACKAGE

RIVETED & SCREW OPTION  
 1: RIVETED & SCREW LOCK  
 2: RIVETED & W/O SCREW  
 3: RIVETED & ADD. SCREW  
 4: W/O RIVETED & SCREW LOCK

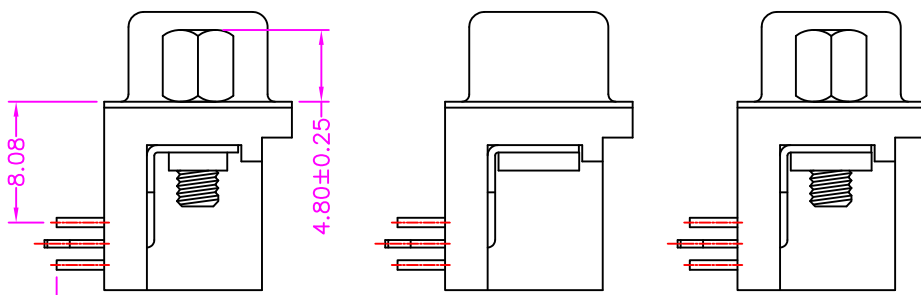
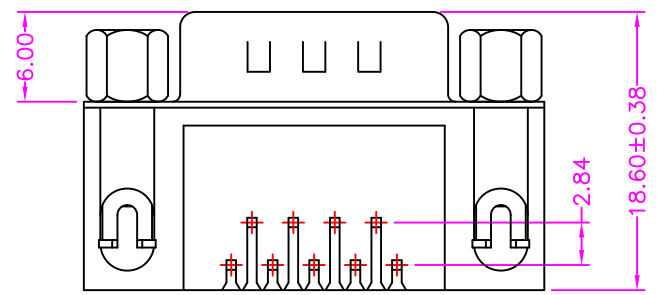
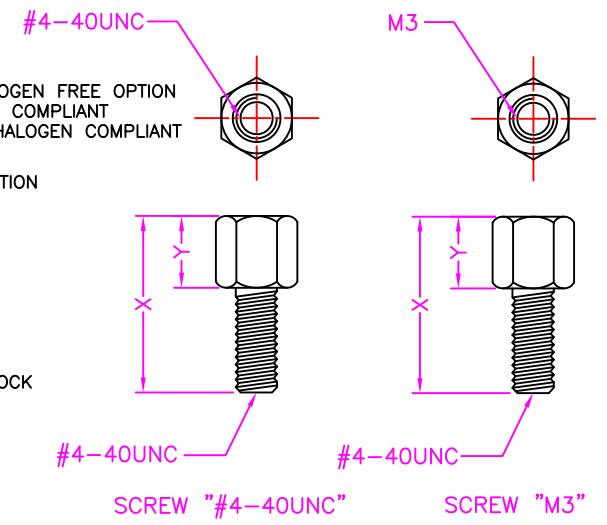


TABLE 1

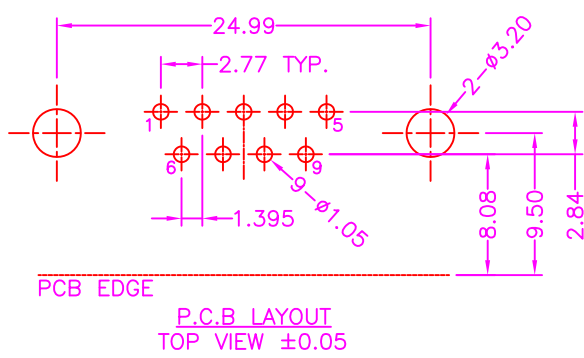
	X	Y	SCREW
A	11.80	4.80	#4-40UNC
B	11.80	4.80	M3
A1	11.80	6.40	#4-40UNC
B1	11.80	6.40	M3

**MATERIALS**

HOUSING: PBT (UL 94V-0)  
 SHELL: SPCC, NICKEL PLATING  
 BOARDLOCK: SPCC, TIN PLATING  
 SCREW: SPCC, NICKEL PLATING  
 TERMINAL: COPPER ALLOY, GOLD PLATED ON CONTACT AREA  
 TIN PLATING ON SOLDER TAIL

**SPECIFICATION**

CURRENT RATING: 5 AMP MAX  
 DIELECTRIC WITHSTANDING: 1000V AC FOR ONE MINUTE  
 CONTACT RESISTANCE: 30m OHMS MAX  
 INSULATION RESISTANCE: 1000M OHMS MIN AT DC 500V  
 OPERATION TEMPERATURE: -55°C~+105°C



**Cyberconn Technology Co., Ltd.**  
 www.cyberconn.com.tw Tel+886-3-4951314

TOLERANCES	D-SUB CONNECTOR SERIES					
X.X ±0.3	TITLE D-SUB, PCB MOUNT, R/A, METAL SHIELD, MALE FOOTPRINT 8.08mm					
X.XX ±0.2	DRAWN BY		CHECKED BY		APPROVED BY	
X.XXX±0.1	Janice		Lion		Benson	
Angle ±5°	UNIT	SCALE	SIZE	DRAW NO.	REV.	Sheet
	10119	MM	NONE	A4	2DBDC-003	B 1/1

B	MODIFY P/N	2013.6.13
A	RELEASE	2013.5.13
REV.	DESCRIPTION	DATE