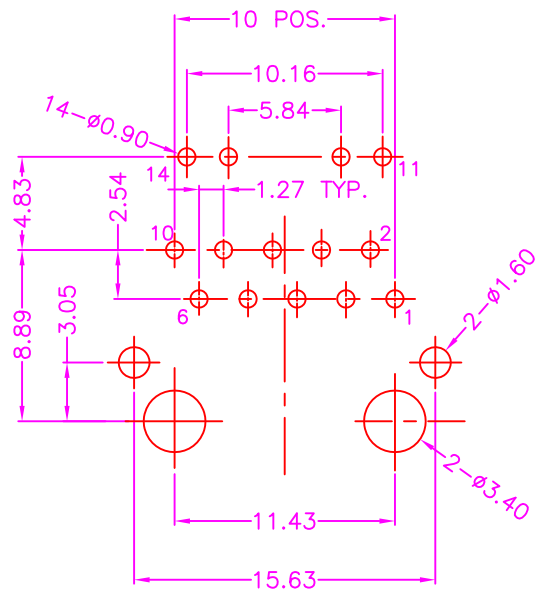


MATERIALS

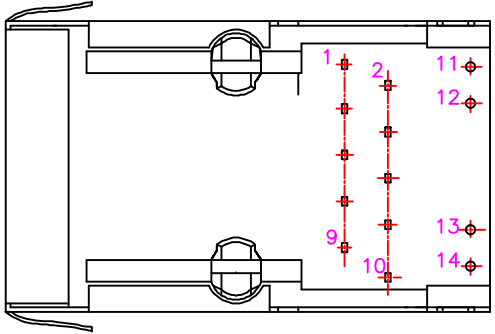
HOUSING: THERMOPLSDTIC (UL 94V-0)
 SHELL: COPPER ALLOY, NICKEL PLATING
 TERMINAL: COPPER ALLOY, GOLD PLATED ON CONTACT AREA
 TIN PLATING ON SOLDER TAIL

SPECIFICATION

CURRENT RATING: 1.5 AMP MAX
 DIELECTRIC WITHSTANDING: 500V AC FOR ONE MINUTE
 CONTACT RESISTANCE: 30m OHMS MAX
 INSULATION RESISTANCE: 1000M OHMS MIN AT DC 500V
 OPERATION TEMPERATURE: -40°C~+85°C

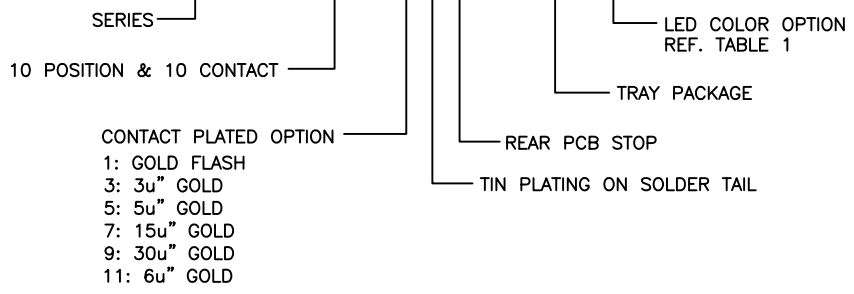


P.C.B LAYOUT TOP VIEW ±0.05



PART NUMBER:

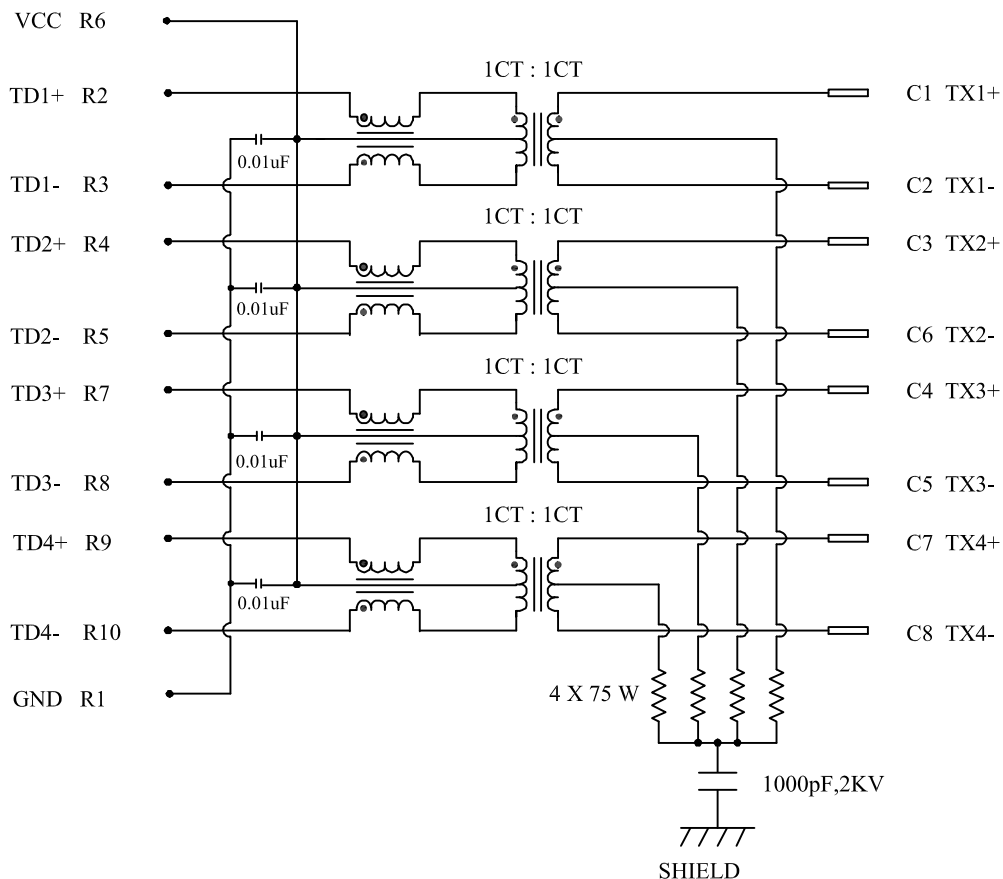
3MJBK - 1 0 1 0 * T 2 - 1 1 5 *



Cyberconn Technology Co., Ltd. <small>www.cyberconn.com.tw Tel+886-3-4951314</small>						
TOLERANCES		MODULAR JACK SERIES				
X.X ±0.3 X.XX ±0.2 X.XXX±0.1 Angle ±5°		TITLE RJ45, PCB MOUNT, SIDE ENTRY, METAL SHIELD WITH SPRING & LED & TRANSFORMER, GIGABIT				
		DRAWN BY		CHECKED BY		APPROVED BY
		Janice		Lion		Benson
		UNIT	SCALE	SIZE	DRAW NO.	REV. Sheet
		10113	MM	NONE	A4 3MJBK-005	A 1/2

A	RELEASE	2013.3.15
REV.	DESCRIPTION	DATE

SCHEMATICS

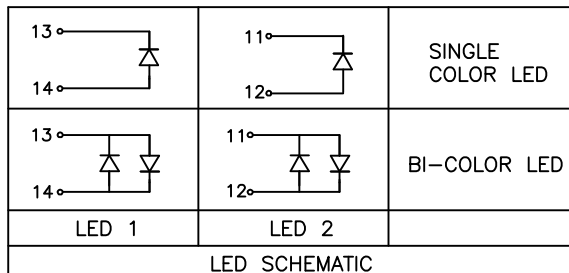


Electrical Specifications: (25°C)

1. Turns Ratio:
@50KHz, 0.1V : 1 : 1 ±5%
2. Insertion Loss:
@1~80 MHz : -1.0 dB Max
@100 MHz : -1.2 dB Max
3. Return Loss:
@1~30MHz : -20 dB Min
@60~80MHz : -12 dB Min
4. Common Mode Rejection:
@1~100 MHz: -30 dB Min
@200 MHz: -20 dB Min
5. Crosstalk:
@1~100MHz : -35 dB Min
6. OCL:
@100KHz, 0.1V, 8mADC : 350uH Min
7. Hi-Pot : 1200VAC, 1mA, 1 Sec

TABLE 1

PART NUMBER	LED Color Option	
	LED 1	LED 2
3MJBK-1010*T2-1151	Yellow	Green
3MJBK-1010*T2-1152	Green	Yellow
3MJBK-1010*T2-1153	Yellow	Yellow
3MJBK-1010*T2-1154	Green	Green
3MJBK-1010*T2-1155	Yellow/Green	Yellow/Green
3MJBK-1010*T2-1156	Green/Orange	Green/Orange



Cyberconn Technology Co., Ltd.
www.cyberconn.com.tw Tel:+886-3-4951314

TOLERANCES		MODULAR JACK SERIES			
X.X ±0.3		TITLE RJ45, PCB MOUNT, SIDE ENTRY, METAL SHIELD WITH SPRING & LED & TRANSFORMER, GIGABIT			
X.XX ±0.2					
X.XXX ±0.1 Angle ±5°					
DRAWN BY		CHECKED BY		APPROVED BY	
<i>Janice</i>		<i>Lion</i>		<i>Benson</i>	
UNIT	SCALE	SIZE	DRAW NO.	REV.	Sheet
10113	MM	NONE	A4	3MJBK-005	A 2/2

A	RELEASE	2013.3.15
REV.	DESCRIPTION	DATE