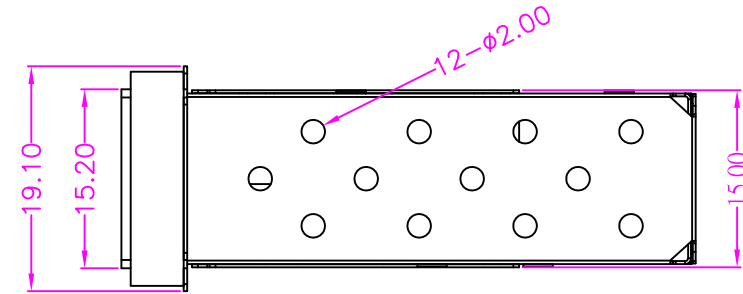
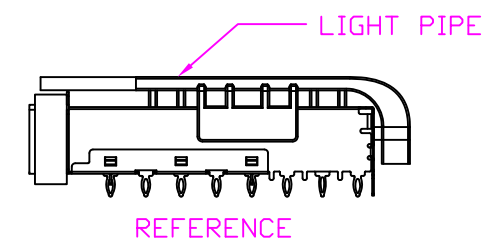
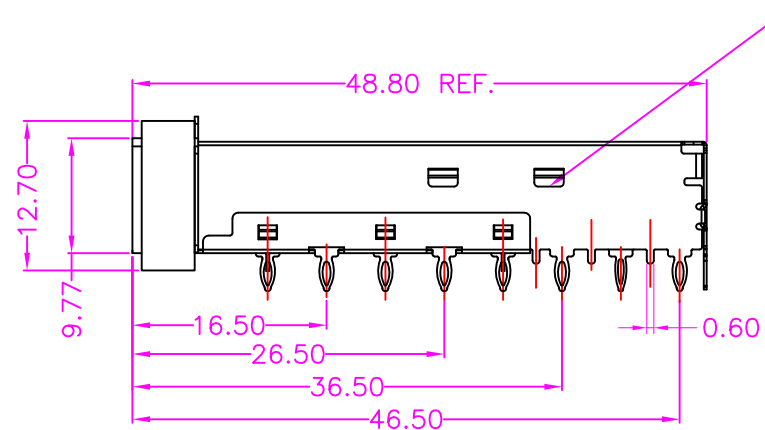
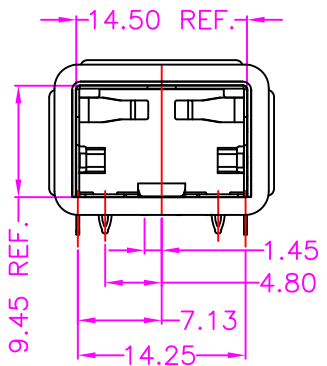


MATERIALS
 METAL SHIELD: COPPER ALLOY, NICKEL PLATING
 FRAME: COPPER ALLOY, NICKEL PLATING
 GASKET: FOAM

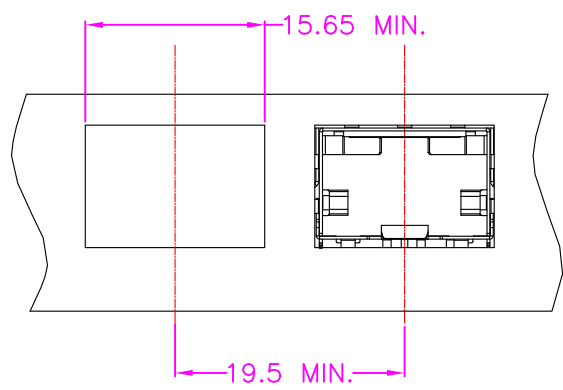


PART NUMBER:
 011AM - 0 N - 1 0
 SERIES ——— TRAY PACKAGE

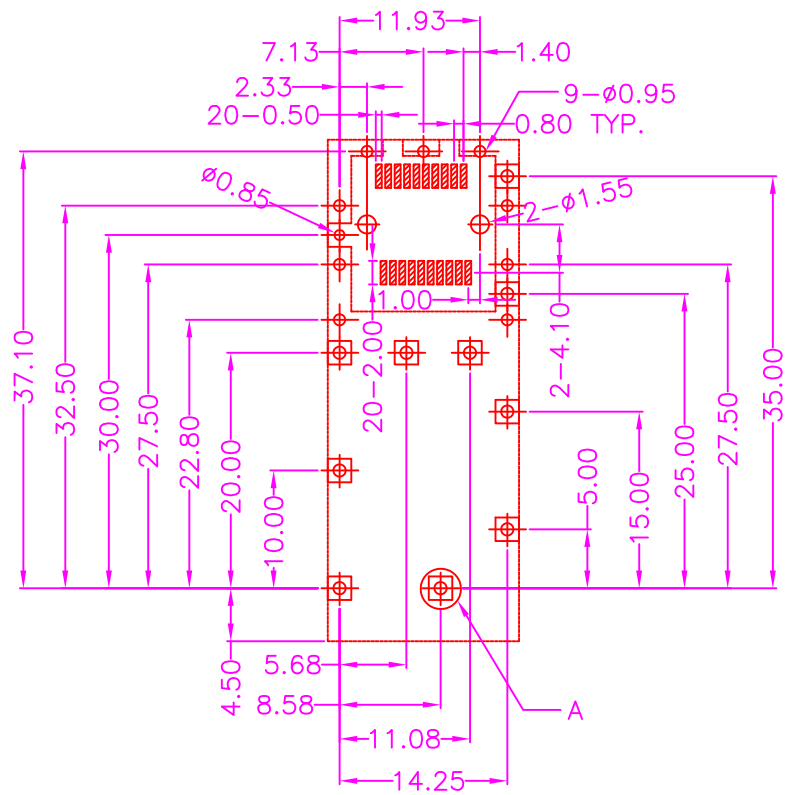
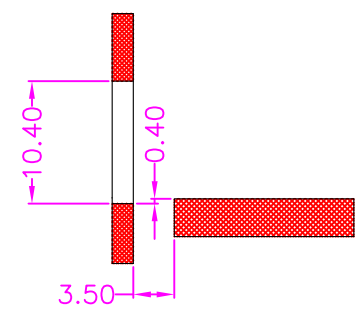


A	RELEASE	2012.1.12
REV.	DESCRIPTION	DATE

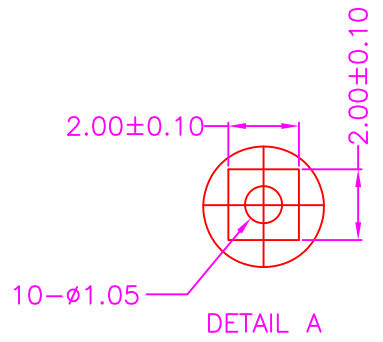
Cyberconn Technology Co., Ltd. <small>www.cyberconn.com.tw Tel:+886-3-4951314</small>						
TOLERANCES X.X ±0.3 X.XX ±0.2 X.XXX ±0.1 Angle ±5°		TITLE SFP SERIES SFP CAGE, R/A, METAL SHIELD, PRESS FIT TYPE WITH FRAME & ELASTOMERIC GASKET & LIGHT PIPE TABS				
		DRAWN BY		CHECKED BY		APPROVED BY
		<i>Janice</i>		<i>Lion</i>		<i>Benson</i>
10001		UNIT	SCALE	SIZE	DRAW NO.	REV. Sheet
		MM	NONE	A4	011AM-001	A 1/2



RECOMMENDED PANEL DESIGN



P.C.B. LAYOUT
TOP VIEW ±0.05



DETAIL A

A	RELEASE	2012.1.12
REV.	DESCRIPTION	DATE

Cyberconn Technology Co., Ltd.
www.cyberconn.com.tw Tel:+886-3-4951314

TOLERANCES	TITLE	SFP SERIES				
X.X ±0.3		SFP CAGE, LAYOUT				
X.XX ±0.2		DRAWN BY	CHECKED BY	APPROVED BY		
X.XXX ±0.1		<i>Janice</i>	<i>Lion</i>	<i>Benson</i>		
Angle ±5°		UNIT	SCALE	SIZE	DRAW NO.	REV.
		10001	MM	NONE	A4	011AM-001-1
						Sheet
						2/2