

MATERIALS

HOUSING: PBT (UL 94V-0)
SHELL: SPCC, NICKEL PLATING
TERMINAL: COPPER ALLOY, GOLD PLATED ON CONTACT AREA
TIN PLATING ON SOLDER TAIL

SPECIFICATION

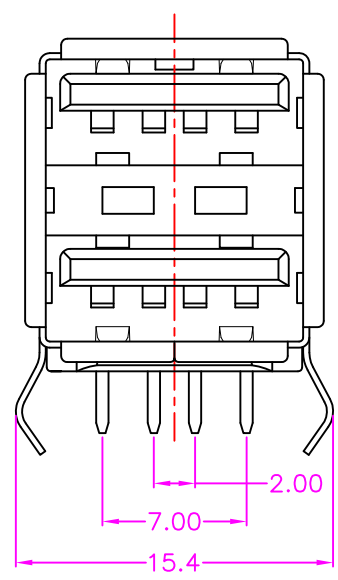
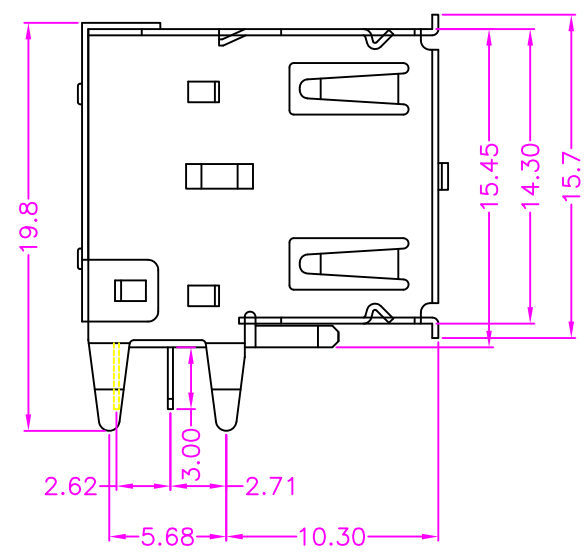
CURRENT RATING: 1 AMP MAX
DIELECTRIC WITHSTANDING: 500V AC FOR ONE MINUTE
CONTACT RESISTANCE: 30m OHMS MAX
INSULATION RESISTANCE: 1000M OHMS MIN AT DC 500V
OPERATION TEMPERATURE: -25°C~+85°C

PART NUMBER:

2USCC - 0 8 * T - 1 1 0 *

SERIES
NO. OF POS.
CONTACT PLATED OPTION
HOUSING COLOR OPTION
BLANK: BLACK
W: WHITE
TRAY PACKAGE
TIN PLATING ON SOLDER TAIL

- 1: GOLD FLASH
- 3: 3u" GOLD
- 5: 5u" GOLD
- 6: 10u" GOLD
- 7: 15u" GOLD
- 9: 30u" GOLD



Cyberconn Technology Co., Ltd.
www.cyberconn.com.tw Tel:+886-3-4951314

TOLERANCES	USB CONNECTOR SERIES				
X.X ±0.3	TITLE				
X.XX ±0.2	STACKED 2x1 USB A TYPE, PCB MOUNT, R/A				
X.XXX ±0.1	DRAWN BY		CHECKED BY		APPROVED BY
Angle ±5°	Janice		Lion		Benson
UNIT	SCALE	SIZE	DRAW NO.	REV.	Sheet
	MM	NONE	A4	2USCC-001 A	1/1

A	RELEASE	2011.9.8
REV.	DESCRIPTION	DATE