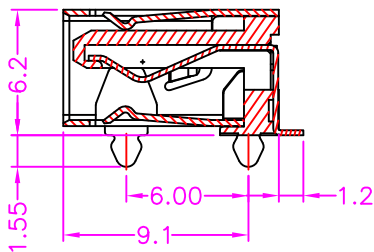
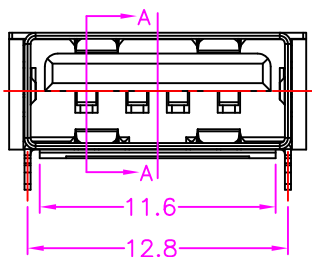
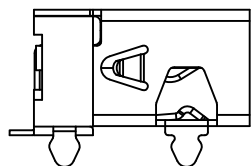


MATERIALS

HOUSING: HI-TEMP. PLASTIC (UL 94V-0)
 SHELL: COPPER ALLOY, NICKEL PLATING
 TERMINAL: COPPER ALLOY, GOLD PLATED ON CONTACT AREA
 TIN PLATING ON SOLDER TAIL

SPECIFICATION

CURRENT RATING: 1 AMP MAX
 DIELECTRIC WITHSTANDING: 500V AC FOR ONE MINUTE
 CONTACT RESISTANCE: 30m OHMS MAX
 INSULATION RESISTANCE: 1000M OHMS MIN AT DC 500V
 OPERATION TEMPERATURE: -25°C~+85°C



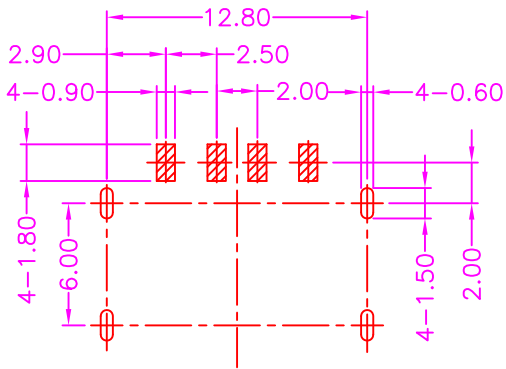
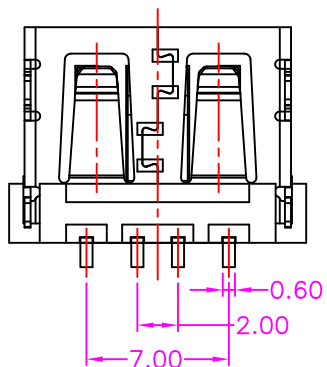
PART NUMBER:

2USAB - 0 4 * T - 1 * 5

SERIES ———— PACKAGE OPTION
 NO. OF POS. ———— 1: TRAY
 2: TAPE REEL

CONTACT PLATED OPTION ———— TIN PLATING ON SOLDER TAIL

- 1: GOLD FLASH
- 3: 3u" GOLD
- 5: 5u" GOLD
- 6: 10u" GOLD
- 7: 15u" GOLD
- 9: 30u" GOLD



P.C.B. LAYOUT
 TOP VIEW ±0.05

Cyberconn Technology Co., Ltd. www.cyberconn.com.tw Tel:+886-3-4951314						
TOLERANCES		USB CONNECTOR SERIES				
X.X ±0.3		TITLE USB A TYPE, PCB MOUNT, SMT, METAL SHIELD FEMALE SHORT TYPE				
X.XX ±0.2		DRAWN BY		CHECKED BY		APPROVED BY
X.XXX±0.1		Janice		Lion		Benson
Angle ±5°						
		UNIT	SCALE	SIZE	DRAW NO.	REV. Sheet
10006&10057		MM	NONE	A4	2USAB-005	A 1/1

A	RELEASE	2013.2.18
REV.	DESCRIPTION	DATE