

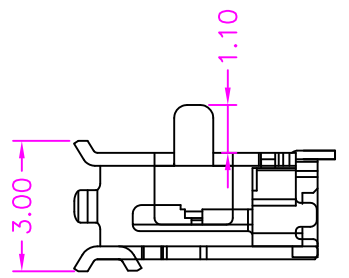
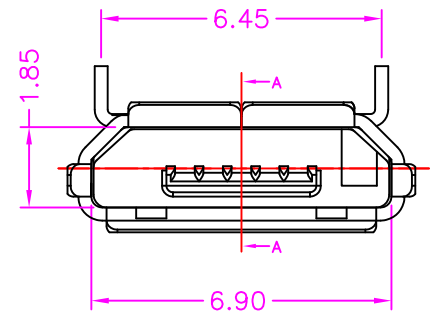
SECTION A-A

MATERIALS

HOUSING: LCP (UL 94V-0), BLACK
 SHELL: STAINLESS STEEL, NICKEL PLATING
 TERMINAL: COPPER ALLOY, GOLD PLATING ON CONTACT AREA
 TIN PLATING ON SOLDER TAIL

SPECIFICATION

CURRENT RATING: 1.8 AMP MAX (ONLY PIN 1, 5), OTHER 1 AMP MAX
 DIELECTRIC WITHSTANDING: 100V AC FOR ONE MINUTE
 CONTACT RESISTANCE: 30m OHMS MAX
 INSULATION RESISTANCE: 100M OHMS MIN AT DC 500V
 OPERATION TEMPERATURE: -25°C~+105°C

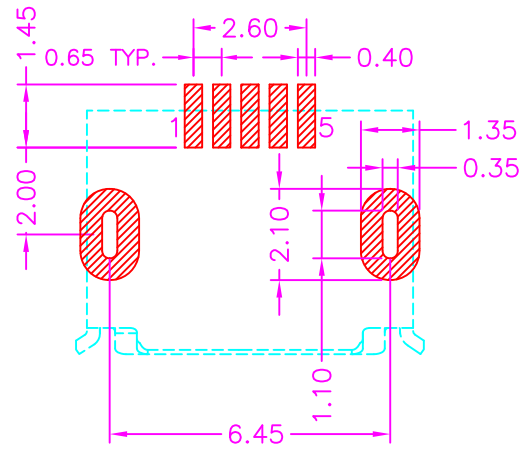
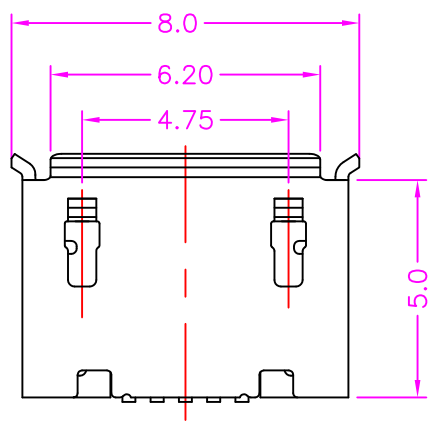


PART NUMBER:

2USTA - 05 * T - 1 * 4

SERIES — NO. OF POS. — PACKAGE OPTION
 2: TAPE REEL
 3: TUBE
 CONTACT PLATED OPTION — TIN PLATING ON SOLDER TAIL

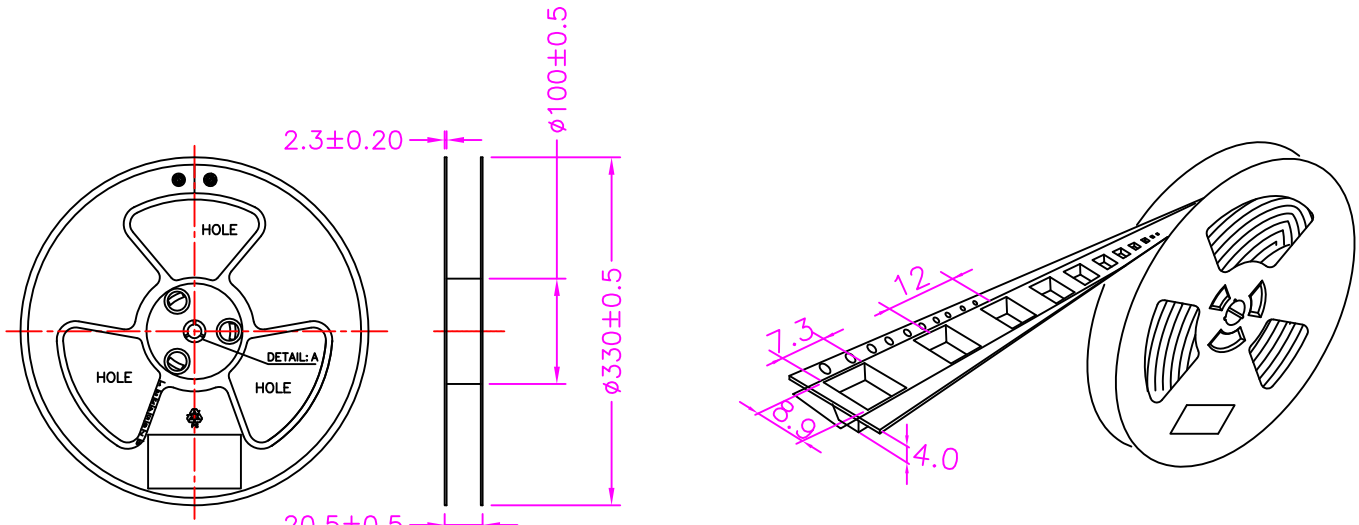
- 1: GOLD FLASH
- 3: 3u" GOLD
- 5: 5u" GOLD
- 7: 15u" GOLD
- 9: 30u" GOLD



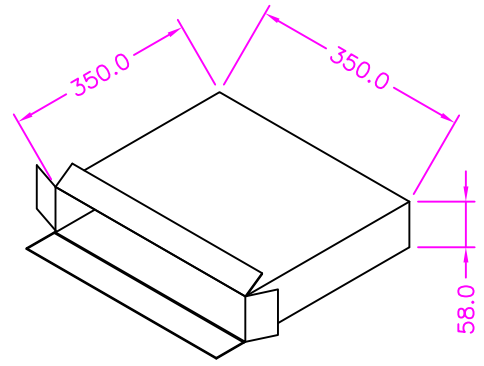
P.C.B LAYOUT
 TOP VIEW ±0.05

A	RELEASE	2012.3.28
REV.	DESCRIPTION	DATE

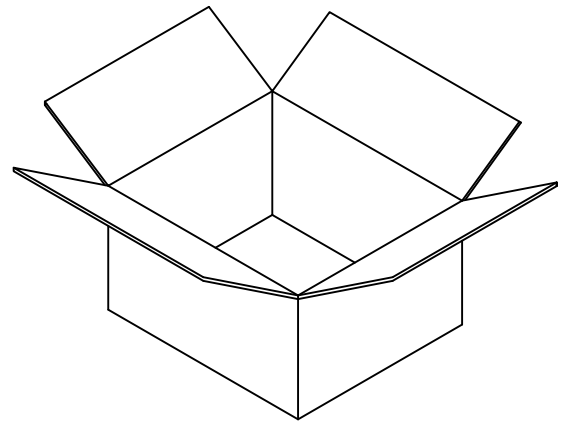
<p>Cyberconn Technology Co., Ltd. www.cyberconn.com.tw Tel: +886-3-4951314</p>						
TOLERANCES		TITLE				
X.X ±0.3		USB CONNECTOR SERIES				
X.XX ±0.2		MICRO USB B TYPE, PCB MOUNT, SMT				
X.XXX ±0.1		METAL SHIELD, FEMALE				
Angle ±5°		DRAWN BY		CHECKED BY		APPROVED BY
		Janice		Lion		Benson
		UNIT	SCALE	SIZE	DRAW NO.	REV. Sheet
		10006&10057	MM	NONE	A4	2USTA-004 A 1/1



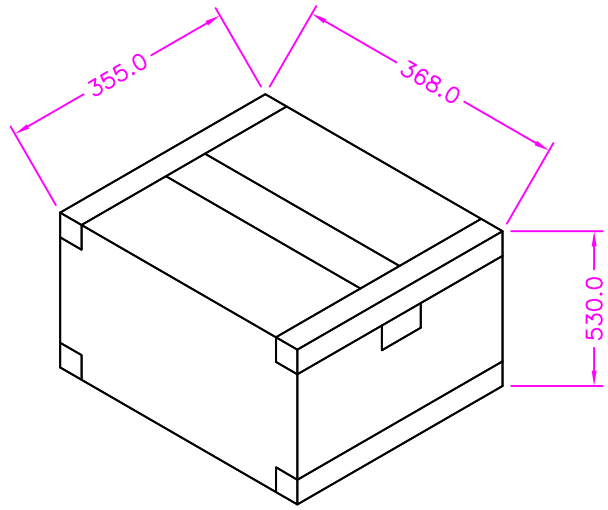
TAPE REEL



BOX



CARTON



CARTON

SPECIFICATION

QUANTITY:
 1500 PCS/TAPE REEL
 3000 PCS/2 TAPE REEL/BOX
 24000 PCS/16 TAPE REEL/8 BOX/CARTON

A	RELEASE	2012.3.28
REV.	DESCRIPTION	DATE

Cyberconn Technology Co., Ltd. www.cyberconn.com.tw Tel: +886-3-4951314						
TOLERANCES	TITLE: USB CONNECTOR SERIES MICRO USB B TYPE, PCB MOUNT, SMT METAL SHIELD, FEMALE					
X.X ±0.3	DRAWN BY		CHECKED BY		APPROVED BY	
X.XX ±0.2	<i>Janice</i>		<i>Lion</i>		<i>Benson</i>	
X.XXX ±0.1	UNIT	SCALE	SIZE	DRAW NO.	REV.	Sheet
Angle ±5°	10006&10057	MM	NONE	A4	2USTA-004	A 2/2