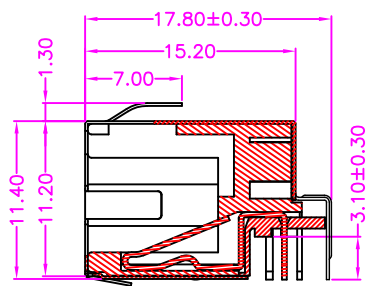
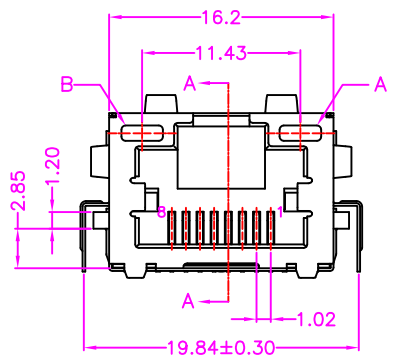
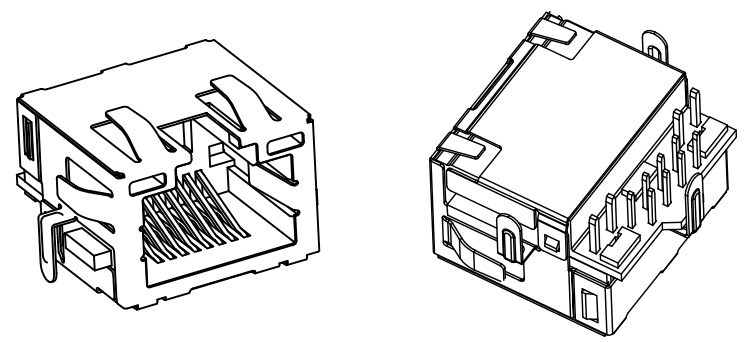
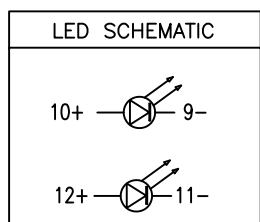
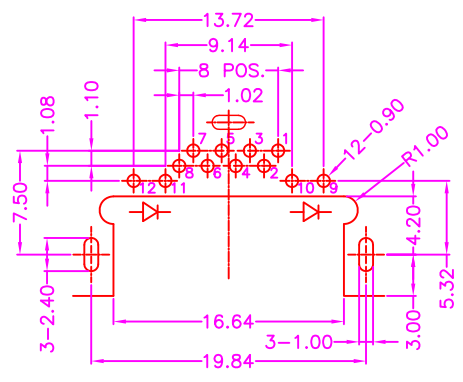
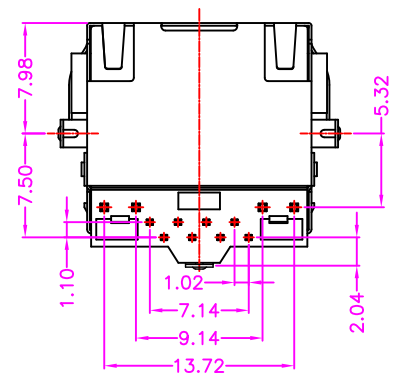


LED OPTION		
P/N	LEFT "B"	RIGHT "A"
0	NONE	NONE
1	YELLOW	GREEN
2	GREEN	YELLOW
3	YELLOW	YELLOW
4	GREEN	GREEN

TABLE 1



SECTION A-A



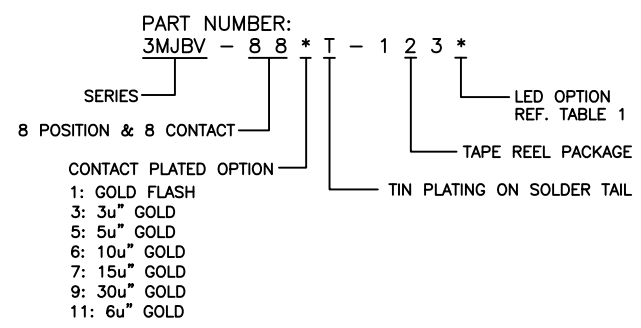
P.C.B LAYOUT TOP VIEW ±0.05

MATERIALS

HOUSING: LCP (UL 94V-0)
 SHELL: COPPER ALLOY, NICKEL PLATING
 TERMINAL: COPPER ALLOY, GOLD PLATED ON CONTACT AREA
 TIN PLATING ON SOLDER TAIL

SPECIFICATION

CURRENT RATING: 1.5 AMP MAX
 DIELECTRIC WITHSTANDING: 500V AC FOR ONE MINUTE
 CONTACT RESISTANCE: 30m OHMS MAX
 INSULATION RESISTANCE: 1000M OHMS MIN AT DC 500V
 OPERATION TEMPERATURE: -40°C~+85°C



Cyberconn Technology Co., Ltd. www.cyberconn.com.tw Tel:+886-3-4951314						
TOLERANCES		MODULAR JACK SERIES				
X.X ±0.3 X.XX ±0.2 X.XXX±0.1 Angle ±5°		TITLE RJ45, PCB MOUNT, SIDE ENTRY, METAL SHIELD, MID MOUNT, WITH SPRING & LED				
		DRAWN BY		CHECKED BY		APPROVED BY
		<i>Janice</i>		<i>Lion</i>		<i>Benson</i>
		UNIT	SCALE	SIZE	DRAW NO.	REV. Sheet
		10003	MM	NONE	A4 3MJBV-003	A 1/1

A	RELEASE	2013.1.15
REV.	DESCRIPTION	DATE