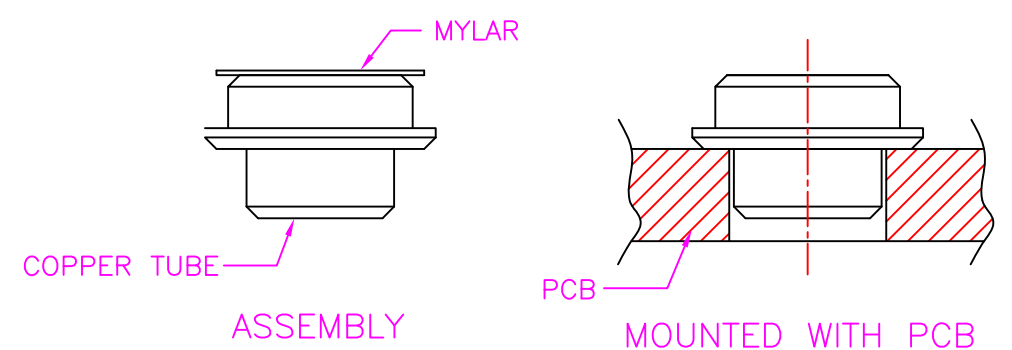


MATERIALS
 COPPER TUBE: COPPER ALLOY, NICKEL PLATING
 MYLAR: POLYIMIDE FILM

INFORMATION
 COMPATIBLE MINI PCI-E DRAWING NO:
 4CEFT-003 & 4CEFT-004 & 4CEFT-005
 4CEFT-006 & 4CEFT-008



PART NUMBER:
 94CEFT - * * - 4 0 0 1

SERIES ————— BAG PACKAGE

"D" DIM. OPTION —————
 REF. TABLE 1

TABLE 1

P/N	D	MINI PCI-E HEIGHT
94CEFT-40	1.60	4.00
94CEFT-51	2.80	5.10
94CEFT-56	3.20	5.60
94CEFT-80	5.60	8.00
94CEFT-91	6.60	9.10

Cyberconn Technology Co., Ltd.
 www.cyberconn.com.tw Tel: +886-3-4951314

TOLERANCES		TITLE				
X.X ±0.3		CARD EDGE CONNECTOR SERIES				
X.XX ±0.2		MINI PCI EXPRESS, COPPER TUBE				
X.XXX ±0.1		DRAWN BY		CHECKED BY		APPROVED BY
Angle ±5°		Janice		Lion		Benson
		UNIT	SCALE	SIZE	DRAW NO.	REV.
		10117	MM	NONE	A4	94CEFT-001
						Sheet
						1/1

A	RELEASE	2013.2.20
REV.	DESCRIPTION	DATE