

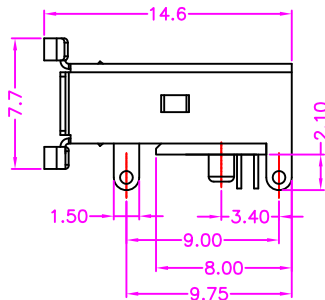
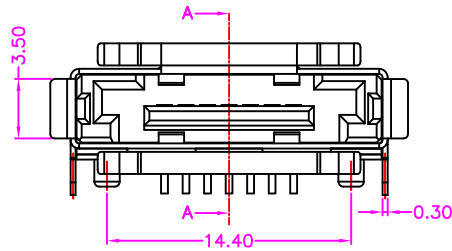
SECTION A-A

MATERIALS

HOUSING: LCP (UL 94V-0)  
 SHELL: COPPER ALLOY, NICKEL PLATING  
 TERMINAL: COPPER ALLOY, GOLD PLATED ON CONTACT AREA  
 TIN PLATING ON SOLDER TAIL

SPECIFICATION

CURRENT RATING: 1.5 AMP MAX  
 DIELECTRIC WITHSTANDING: 500V AC FOR ONE MINUTE  
 CONTACT RESISTANCE: 30m OHMS MAX  
 INSULATION RESISTANCE: 1000M OHMS MIN AT DC 500V  
 OPERATION TEMPERATURE: -55°C~+85°C

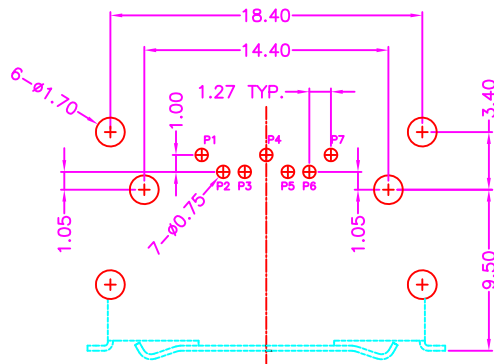
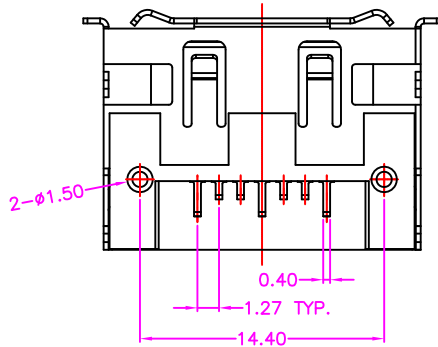
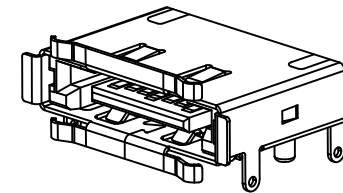


PART NUMBER:

2SACD - 07 \* T - 1 1 2

SERIES ——— TRAY PACKAGE  
 NO. OF POS. ——— TIN PLATING ON SOLDER TAIL  
 CONTACT PLATED OPTION ———

- 1: GOLD FLASH
- 3: 3u" GOLD
- 5: 5u" GOLD
- 6: 10u" GOLD
- 9: 30u" GOLD



P.C.B LAYOUT  
 TOP VIEW ±0.05

A	RELEASE	2013.1.29
REV.	DESCRIPTION	DATE

<b>Cyberconn Technology Co., Ltd.</b> www.cyberconn.com.tw Tel:+886-3-4951314						
TOLERANCES		SATA CONNECTOR SERIES				
X.X ±0.3 X.XX ±0.2 X.XXX ±0.1 Angle ±5°		TITLE E-SATA, 7PIN, PCB MOUNT, R/A, METAL SHIELD FEMALE WITH POST & SPRING				
		DRAWN BY		CHECKED BY		APPROVED BY
		Janice		Lion		Benson
		UNIT	SCALE	SIZE	DRAW NO.	REV. Sheet
		10006&10057	MM	NONE	A4 2SACD-002	A 1/1