

MATERIALS

HOUSING: THERMOPLASTIC (UL 94V-0)
 SHELL: COPPER ALLOY, NICKEL PLATING
 TERMINAL: COPPER ALLOY, GOLD PLATED

SPECIFICATION

CURRENT RATING: 1.5 AMP MAX
 DIELECTRIC WITHSTANDING: 500V AC FOR ONE MINUTE
 CONTACT RESISTANCE: 30m OHMS MAX
 INSULATION RESISTANCE: 1000M OHMS MIN AT DC 500V
 OPERATION TEMPERATURE: -40°C~+85°C

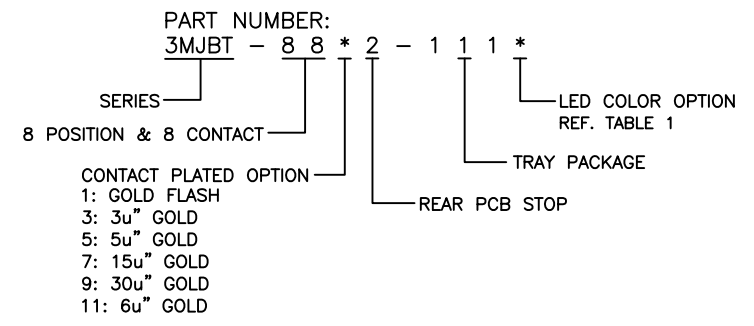
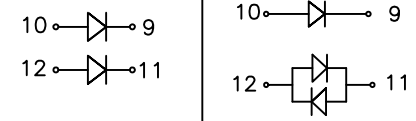


TABLE 1

PART NUMBER	LED Color Option	
	LED 1	LED 2
3MJBT-88*2-1111	Yellow	Green
3MJBT-88*2-1112	Green	Yellow
3MJBT-88*2-1113	Yellow/Green	Yellow/Green
3MJBT-88*2-1114	Green/Orange	Green/Orange



SINGLE LIGHT DUAL LIGHT LED SCHEMATIC

A	RELEASE	2013.2.27
REV.	DESCRIPTION	DATE

Cyberconn Technology Co., Ltd.
 www.cyberconn.com.tw Tel:+886-3-4951314

TOLERANCES	MODULAR JACK SERIES					
X.X ±0.3	TITLE RJ45, PCB MOUNT, SIDE ENTRY, METAL SHIELD WITH SPRING & LED					
X.XX ±0.2	DRAWN BY		CHECKED BY		APPROVED BY	
X.XXX ±0.1	Janice		Lion		Benson	
Angle ±5°	UNIT	SCALE	SIZE	DRAW NO.	REV.	Sheet
	10003	MM	NONE	A4	3MJBT-001	A 1/1