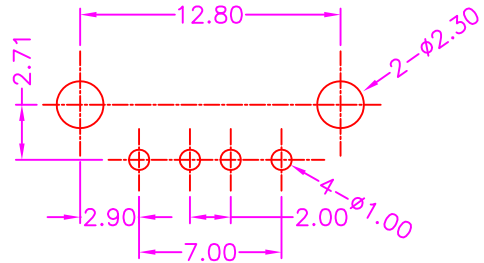
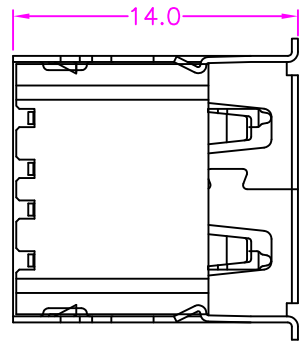
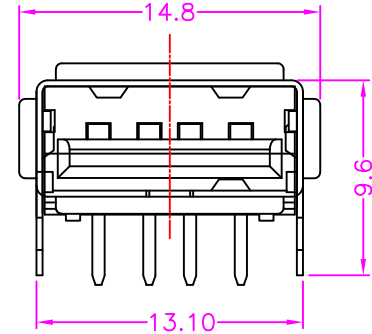
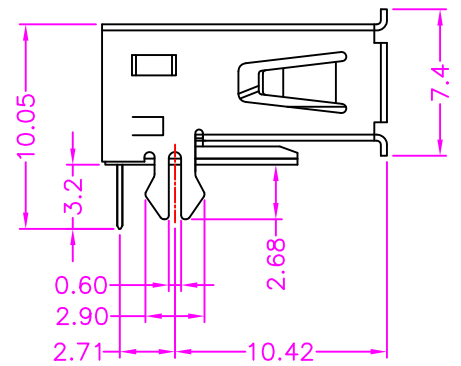
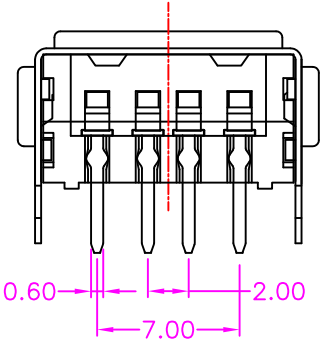
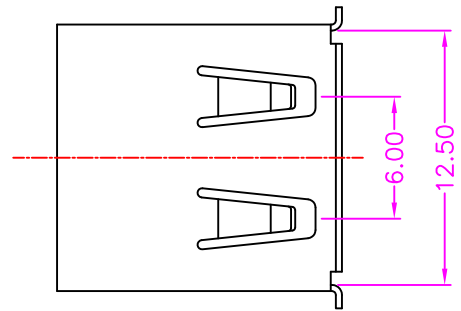


**MATERIALS**

HOUSING: PBT (UL 94V-0), BLACK  
 SHELL: COPPER ALLOY, NICKEL PLATING  
 TERMINAL: COPPER ALLOY, GOLD PLATED ON CONTACT AREA  
 TIN PLATING ON SOLDER TAIL

**SPECIFICATION**

CURRENT RATING: 1 AMP MAX  
 DIELECTRIC WITHSTANDING: 500V AC FOR ONE MINUTE  
 CONTACT RESISTANCE: 30m OHMS MAX  
 INSULATION RESISTANCE: 1000M OHMS MIN AT DC 500V  
 OPERATION TEMPERATURE: -25°C~+85°C



P.C.B. LAYOUT  
 TOP VIEW ±0.05

**PART NUMBER:**

2USAH - 0 4 \* T - 1 1 2

SERIES — NO. OF POS. — CONTACT PLATED OPTION — TRAY PACKAGE — TIN PLKATING ON SOLDER TAIL

**CONTACT PLATED OPTION**

- 1: GOLD FLASH
- 3: 3u" GOLD
- 5: 5u" GOLD
- 6: 10u" GOLD
- 7: 15u" GOLD
- 9: 30u" GOLD

<b>Cyberconn Technology Co., Ltd.</b> www.cyberconn.com.tw Tel: +886-3-4951314						
TOLERANCES		TITLE: USB CONNECTOR SERIES USB A TYPE, PCB MOUNT REVERSE TYPE, R/A METAL SHIELD, FEMALE				
X.X ±0.3 X.XX ±0.2 X.XXX ±0.1 Angle ±5°		DRAWN BY		CHECKED BY		APPROVED BY
		<i>Janice</i>		<i>Lion</i>		<i>Benson</i>
		UNIT	SCALE	SIZE	DRAW NO.	REV. Sheet
10006&10057		MM	NONE	A4	2USAH-002	A 1/1

A	RELEASE	2013.3.13
REV.	DESCRIPTION	DATE