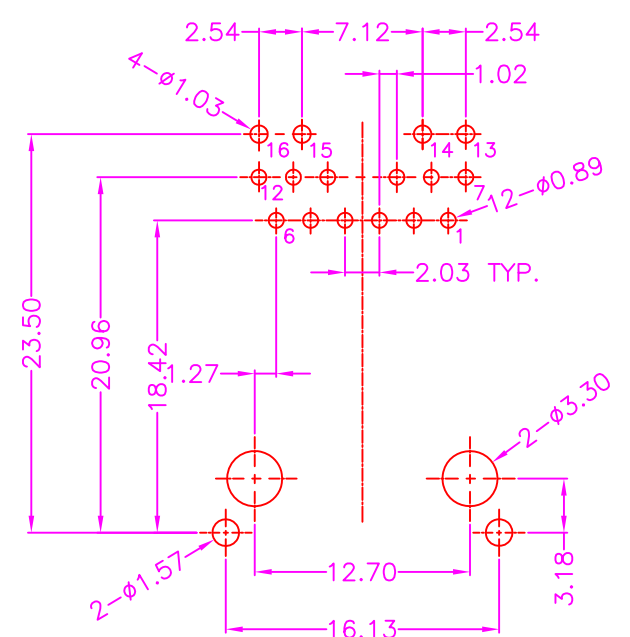
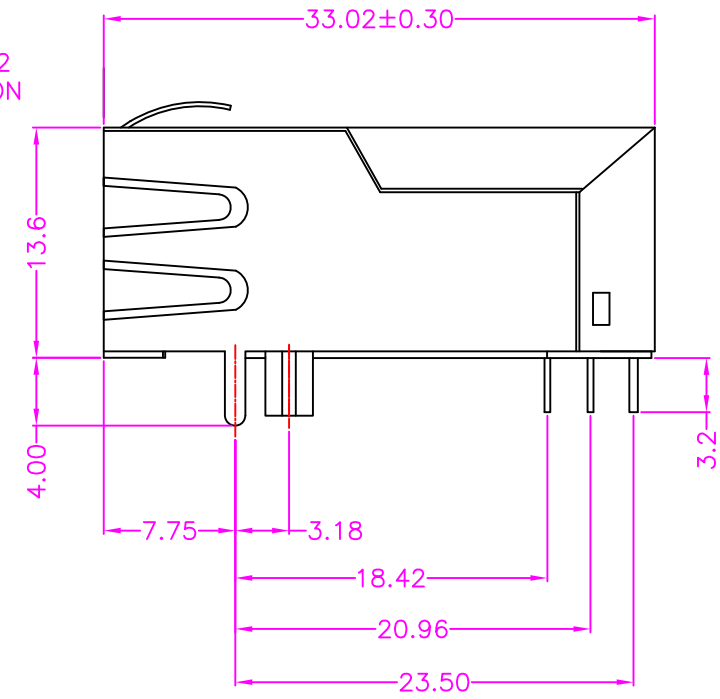
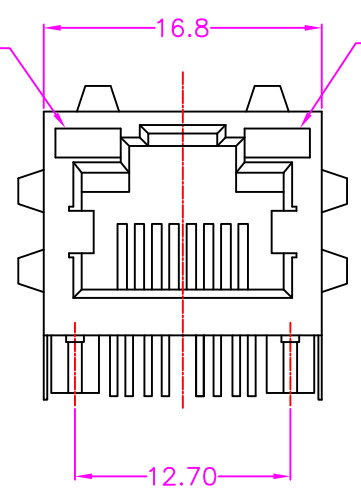


LED 1 OPTION
LED 2 OPTION



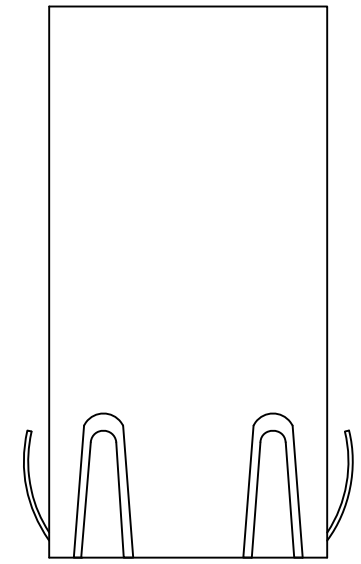
P.C.B. LAYOUT
TOP VIEW ±0.05

MATERIALS

HOUSING: THERMOPLASTIC (UL 94V-0)
SHELL: COPPER ALLOY, NICKEL PLATING
TERMINAL: COPPER ALLOY, GOLD PLATED
LED TERMINAL: SPCC, TIN PLATING

SPECIFICATION

CURRENT RATING: 1.5 AMP MAX
DIELECTRIC WITHSTANDING: 500V AC FOR ONE MINUTE
CONTACT RESISTANCE: 30m OHMS MAX
INSULATION RESISTANCE: 1000M OHMS MIN AT DC 500V
OPERATION TEMPERATURE: -40°C~+85°C



PART NUMBER:
3MJBK - * * 1 - 1 1 3 *

SERIES
CONTACT PLATED OPTION
FRONT PCB STOP
LED COLOR OPTION REF. TABLE 1
TRAY PACKAGE

1: GOLD FLASH
3: 3u" GOLD
5: 5u" GOLD
7: 15u" GOLD
9: 30u" GOLD
11: 6u" GOLD

TABLE 1

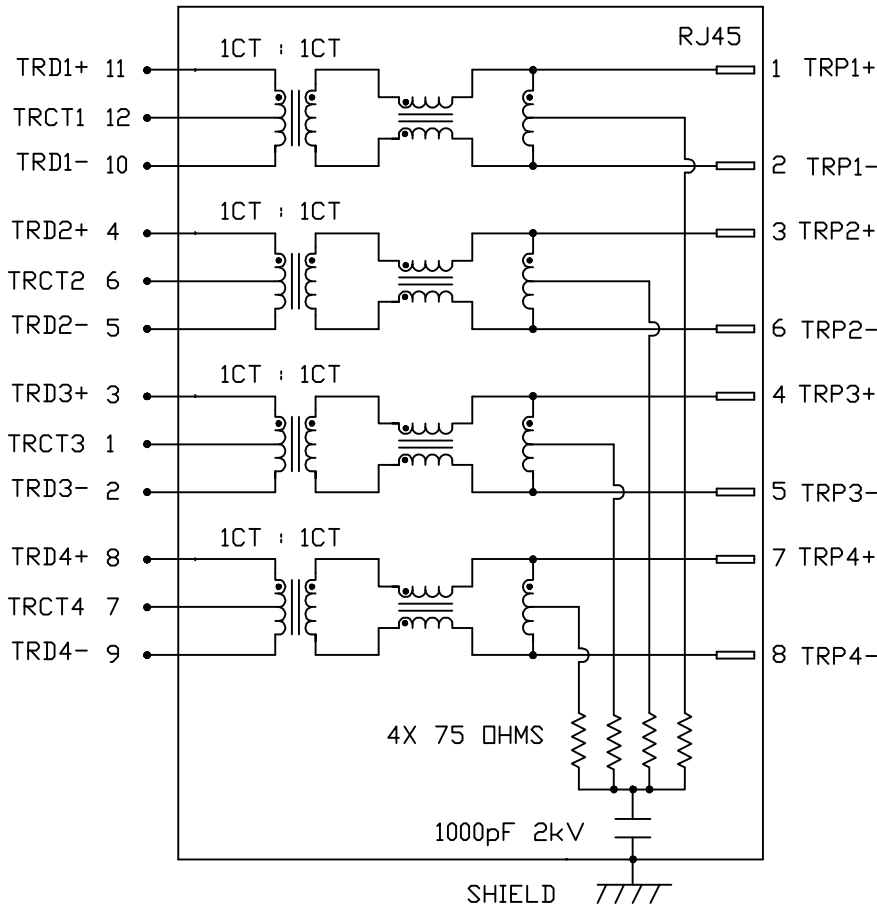
PART NUMBER	LED Color Option	
	LED 1	LED 2
3MJBK-**-1131	Yellow/Green	Green
3MJBK-**-1132	Green/Orange	Green
3MJBK-**-1133	Yellow/Green	Yellow
3MJBK-**-1134	Green/Orange	Yellow

Cyberconn Technology Co., Ltd.
www.cyberconn.com.tw Tel:+886-3-4951314

TOLERANCES	MODULAR JACK SERIES					
X.X ±0.3 X.XX ±0.2 X.XXX ±0.1 Angle ±5°	TITLE RJ45, PCB MOUNT, SIDE ENTRY, METAL SHIELD, WITH SPRING & LED & TRANSFORMER, GIGABIT					
	DRAWN BY		CHECKED BY		APPROVED BY	
	Janice		Lion		Benson	
	UNIT	SCALE	SIZE	DRAW NO.	REV.	Sheet
	10015&10113	MM	NONE	A4	3MJBK-003	A 1/2

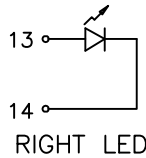
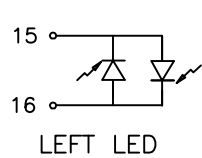
A	RELEASE	2013.1.17
REV.	DESCRIPTION	DATE

SCHEMATICS



Electrical Specifications: (25°C)

1. Turns Ratio:
@50KHz, 0.1V : 1 : 1 ±5%
2. Insertion Loss:
@1~80 MHz : -1.0 dB Max
@100 MHz : -1.2 dB Max
3. Return Loss:
@1~30MHz : -20 dB Min
@60~80MHz : -12 dB Min
4. Common Mode Rejection:
@1~100 MHz: -30 dB Min
@200 MHz: -20 dB Min
5. Crosstalk:
@1~100MHz : -35 dB Min
6. OCL:
@100KHz, 0.1V, 8mADC : 350uH Min
7. Hi-Pot : 1200VAC, 1mA, 1 Sec



LED SCHEMATIC

A	RELEASE	2013.1.17
REV.	DESCRIPTION	DATE

Cyberconn Technology Co., Ltd. www.cyberconn.com.tw Tel:+886-3-4951314						
TOLERANCES		MODULAR JACK SERIES				
X.X ±0.3		RJ45, PCB MOUNT, SIDE ENTRY, METAL SHIELD, WITH SPRING & LED & TRANSFORMER, GIGABIT				
X.XX ±0.2		DRAWN BY		CHECKED BY		APPROVED BY
X.XXX±0.1		Janice		Lion		Benson
Angle ±5°		UNIT		SCALE	SIZE	DRAW NO.
		MM	NONE	A4	3MJBK-003	REV.
						Sheet
						2/2