

MATERIALS

HOUSING: THERMOPLSDTIC (UL 94V-0)
 SHELL: COPPER ALLOY, NICKEL PLATING
 TERMINAL: COPPER ALLOY, GOLD PLATED ON CONTACT AREA
 TIN PLATING ON SOLDER TAIL

SPECIFICATION

CURRENT RATING: 1.5 AMP MAX
 DIELECTRIC WITHSTANDING: 500V AC FOR ONE MINUTE
 CONTACT RESISTANCE: 30m OHMS MAX
 INSULATION RESISTANCE: 1000M OHMS MIN AT DC 500V
 OPERATION TEMPERATURE: -40°C~+85°C

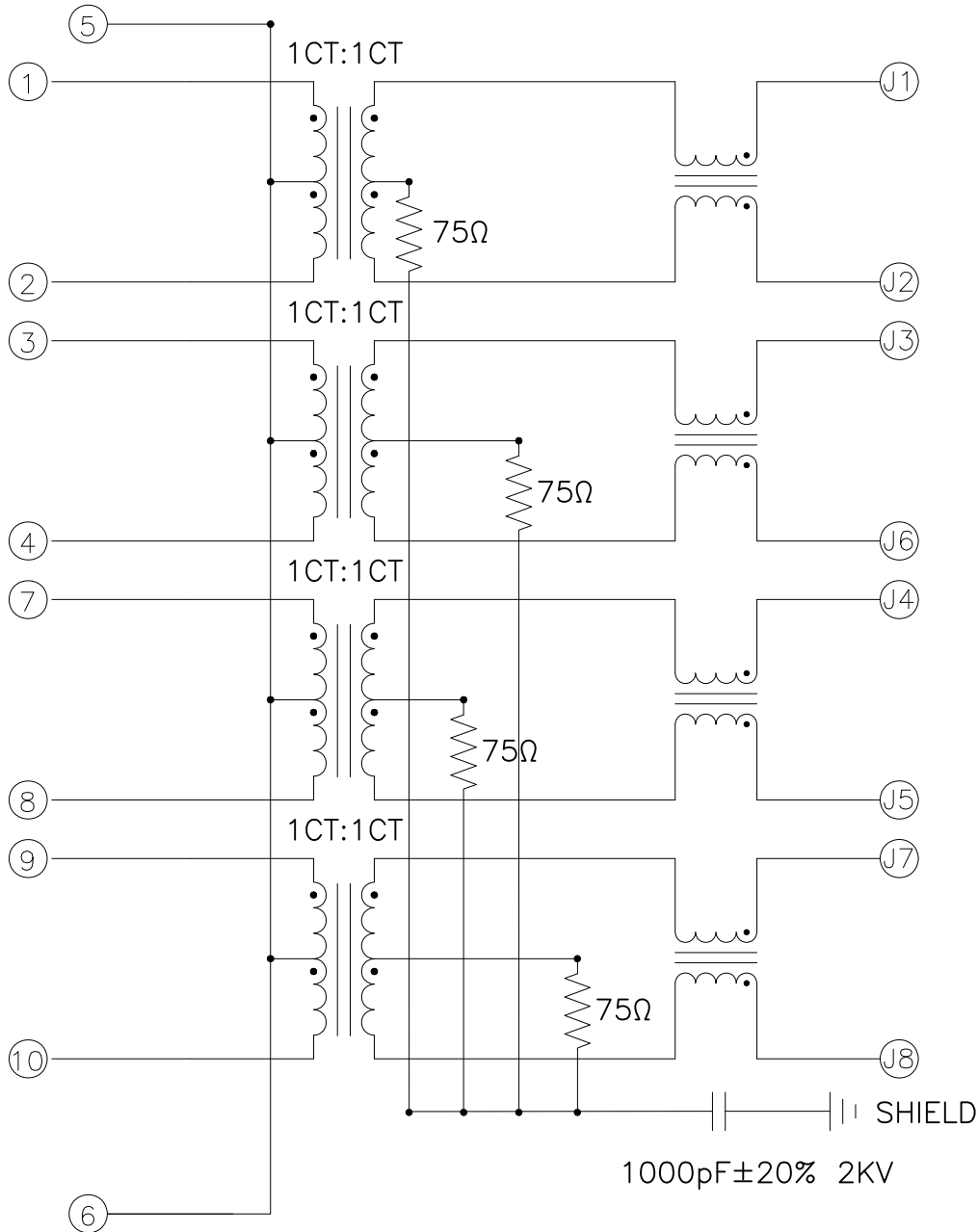
PART NUMBER:

3MJBS - * * * * * T 2 - 1 1 2

- SERIES
- POSITION & CONTACT OPTION
 - 1010: 10P10C
 - 108: 10P8C
 - 106: 10P6C
 - 104: 10P4C
- TIN PLATING ON SOLDER TAIL
- REAR PCB STOP
- CONTACT PLATED OPTION
 - 1: GOLD FLASH
 - 3: 3u" GOLD
 - 5: 5u" GOLD
 - 7: 15u" GOLD
 - 9: 30u" GOLD
- TRAY PACKAGE

Cyberconn Technology Co., Ltd. <small>www.cyberconn.com.tw Tel+886-3-4951314</small>						
TOLERANCES		MODULAR JACK SERIES				
X.X ±0.3		RJ45, PCB MOUNT, SIDE ENTRY, METAL SHIELD WITH TRANSFORMER				
X.XX ±0.2		DRAWN BY		CHECKED BY		APPROVED BY
X.XXX±0.1		Janice		Lion		Benson
Angle ±5°		UNIT	SCALE	SIZE	DRAW NO.	REV. Sheet
		10003	MM	NONE	A4	3MJBS-002 A 1/2

A	RELEASE	2012.12.20
REV.	DESCRIPTION	DATE



Cyberconn Technology Co., Ltd.
www.cyberconn.com.tw Tel:+886-3-4951314

TOLERANCES	MODULAR JACK SERIES					
X.X ±0.3	TITLE RJ45, PCB MOUNT, SIDE ENTRY, METAL SHIELD WITH TRANSFORMER					
X.XX ±0.2	DRAWN BY		CHECKED BY		APPROVED BY	
X.XXX±0.1	<i>Janice</i>		<i>Lion</i>		<i>Benson</i>	
Angle ±5°	UNIT	SCALE	SIZE	DRAW NO.	REV.	Sheet
	10003	MM	NONE	A4	3MJBS-002	A 2/2

A	RELEASE	2012.12.20
REV.	DESCRIPTION	DATE