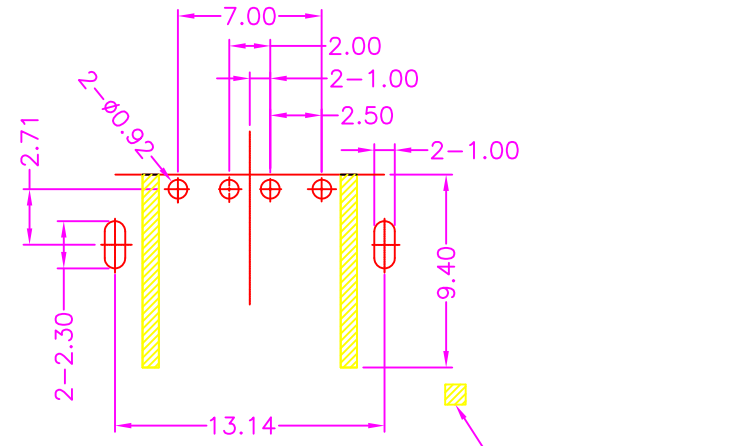
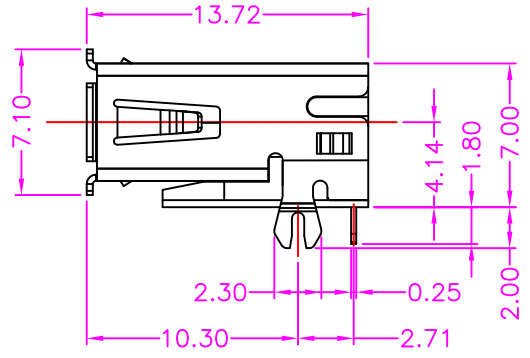
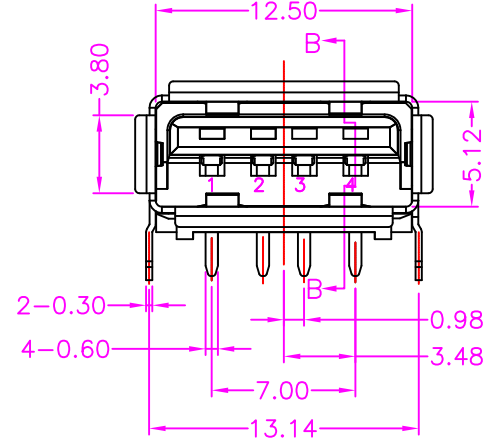


SECTION B-B
SCALE 1:1



P.C.B LAYOUT
TOP VIEW ±0.05

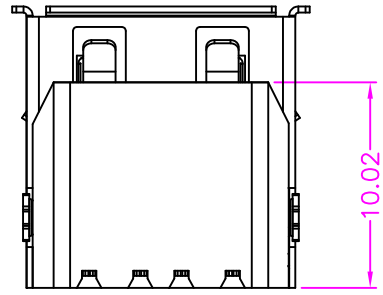


PART NUMBER:

2USAC - 0 4 * T - 1 2 4

SERIES — NO. OF POS. — CONTACT PLATED OPTION — TAPE REEL PACKAGE — TIN PLATING ON SOLDER TAIL

- 1: GOLD FLASH
- 3: 3u" GOLD
- 5: 5u" GOLD
- 6: 10u" GOLD
- 9: 30u" GOLD



MATERIALS

HOUSING: PA10T (UL 94V-0) 107C
 SHELL: COPPER ALLOY, BLACK NICKEL PLATING
 TERMINAL: COPPER ALLOY, GOLD PLATED ON CONTACT AREA
 TIN PLATING ON SOLDER TAIL

SPECIFICATION

CURRENT RATING: 1 AMP MAX
 DIELECTRIC WITHSTANDING: 500V AC FOR ONE MINUTE
 CONTACT RESISTANCE: 30m OHMS MAX
 INSULATION RESISTANCE: 1000M OHMS MIN AT DC 500V
 OPERATION TEMPERATURE: -25°C~+85°C

A	RELEASE	2011.12.25
REV.	DESCRIPTION	DATE

Cyberconn Technology Co., Ltd.
 www.cyberconn.com.tw Tel:+886-3-4951314

TOLERANCES	TITLE	USB CONNECTOR SERIES				
X.X ±0.3	TITLE	USB A TYPE, PCB MOUNT, R/A, METAL SHIELD FEMALE				
X.XX ±0.2		DRAWN BY	CHECKED BY	APPROVED BY		
X.XXX ±0.1		<i>Janice</i>	<i>Lion</i>	<i>Benson</i>		
Angle ±5°	UNIT	SCALE	SIZE	DRAW NO.	REV.	Sheet
	10001	MM	NONE	A4	2USAC-004	A 1/1