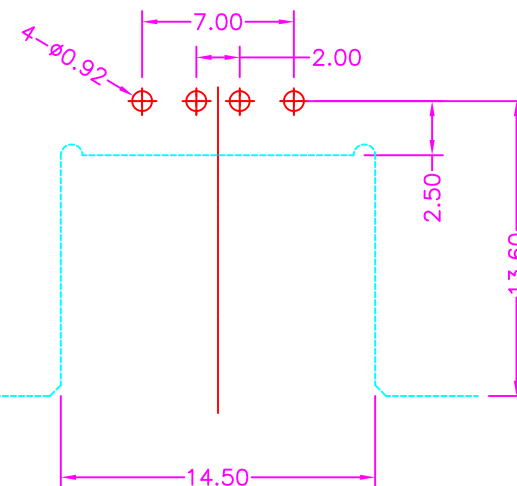
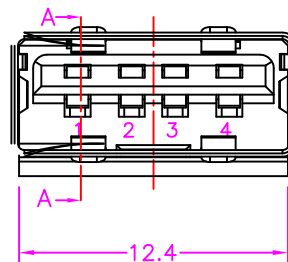
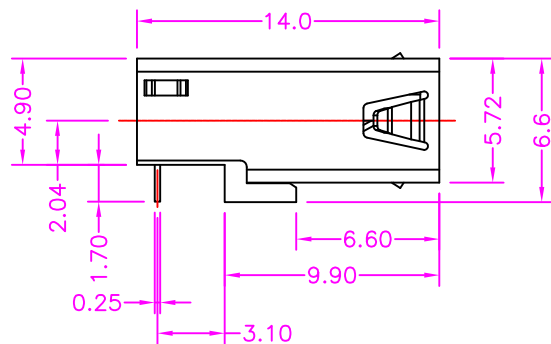
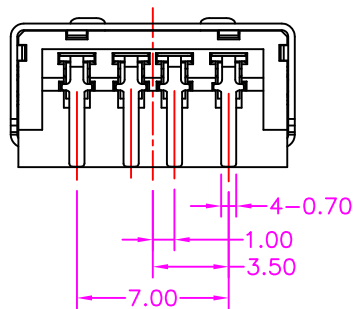


**MATERIALS**

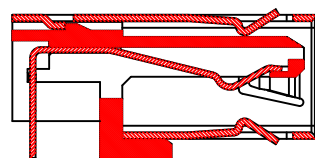
HOUSING: LCP (UL 94V-0)  
 SHELL: COPPER ALLOY, NICKEL PLATING  
 TERMINAL: COPPER ALLOY, GOLD PLATED ON CONTACT AREA  
 TIN PLATING ON SOLDER TAIL

**SPECIFICATION**

CURRENT RATING: 1 AMP MAX  
 DIELECTRIC WITHSTANDING: 500V AC FOR ONE MINUTE  
 CONTACT RESISTANCE: 30m OHMS MAX  
 INSULATION RESISTANCE: 1000M OHMS MIN AT DC 500V  
 OPERATION TEMPERATURE: -25°C~+85°C



P.C.B LAYOUT  
 TOP VIEW ±0.05



SECTION A-A

PART NUMBER:

2USAE - 0 4 \* T - 1 2 4

SERIES

TAPE REEL PACKAGE

NO. OF POS.

TIN PLATING ON SOLDER TAIL

CONTACT PLATED OPTION

- 1: GOLD FLASH
- 3: 3u" GOLD
- 5: 5u" GOLD
- 6: 10u" GOLD
- 7: 15u" GOLD
- 9: 30u" GOLD

A	RELEASE	2012.12.22
REV.	DESCRIPTION	DATE

<b>Cyberconn Technology Co., Ltd.</b> www.cyberconn.com.tw Tel:+886-3-4951314						
TOLERANCES		TITLE USB CONNECTOR SERIES USB A TYPE, PCB MID MOUNT, R/A METAL SHIELD, FEMALE				
X.X ±0.3 X.XX ±0.2 X.XXX±0.1 Angle ±5°		DRAWN BY		CHECKED BY		APPROVED BY
		Janice		Lion		Benson
UNIT	SCALE	SIZE	DRAW NO.	REV.	Sheet	
10001	MM	NONE	A4	2USAE-004	A	1/1