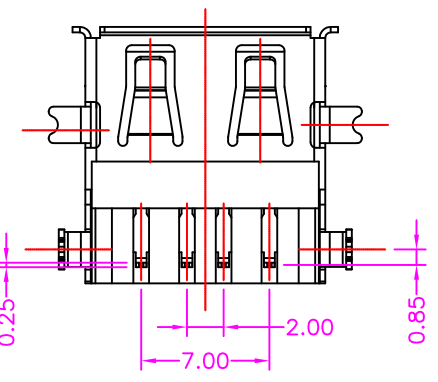
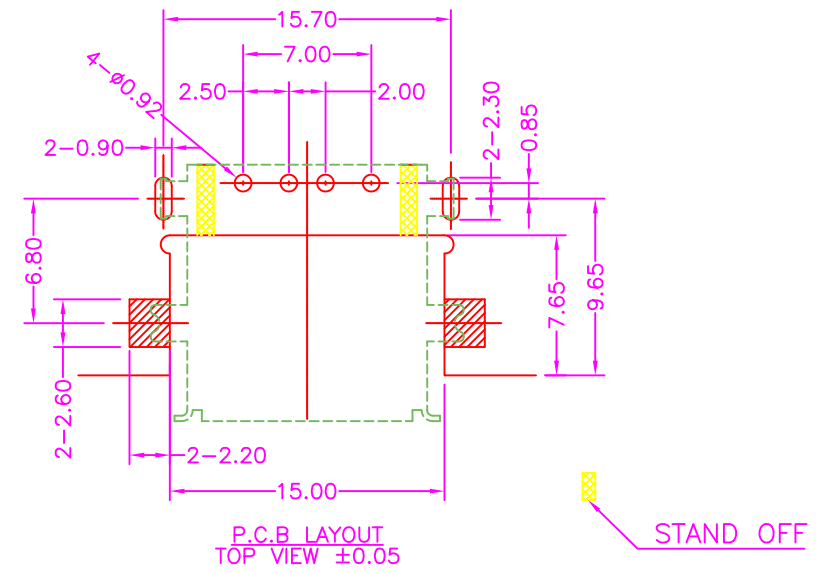
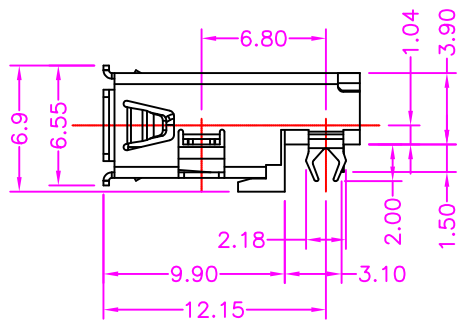
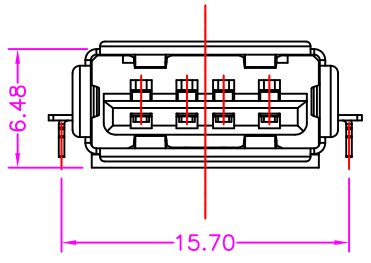


MATERIALS

HOUSING: LCP (UL 94V-0), BLACK
 SHELL: COPPER ALLOY, NICKEL PLATING
 TERMINAL: COPPER ALLOY, GOLD PLATED ON CONTACT AREA
 TIN PLATING ON SOLDER TAIL

SPECIFICATION

CURRENT RATING: 1 AMP MAX
 DIELECTRIC WITHSTANDING: 500V AC FOR ONE MINUTE
 CONTACT RESISTANCE: 30m OHMS MAX
 INSULATION RESISTANCE: 1000M OHMS MIN AT DC 500V
 OPERATION TEMPERATURE: -25°C~+85°C



PART NUMBER:
 2USAL - 0 4 * T - 1 2 1

SERIES ———— TAPE REEL PACKAGE
 NO. OF POS. ———— TIN PLATING ON SOLDER TAIL

CONTACT PLATED OPTION
 1: GOLD FLASH
 3: 3u" GOLD
 5: 5u" GOLD
 6: 10u" GOLD
 7: 15u" GOLD
 9: 30u" GOLD

P.C.B. LAYOUT
 TOP VIEW ±0.05

STAND OFF

A	RELEASE	2012.4.24
REV.	DESCRIPTION	DATE

Cyberconn Technology Co., Ltd. <small>www.cyberconn.com.tw Tel:+886-3-4951314</small>						
TOLERANCES		USB CONNECTOR SERIES				
X.X ±0.3		TITLE USB A TYPE, BOARD CUT PCB MOUNT REVERSE TYPE R/A, METAL SHIELD, FEMALE				
X.XX ±0.2		DRAWN BY		CHECKED BY		APPROVED BY
X.XXX±0.1		Janice		Lion		Benson
Angle ±5°						
		UNIT	SCALE	SIZE	DRAW NO.	REV.
10001		MM	NONE	A4	2USAL-002	A
						Sheet
						1/1