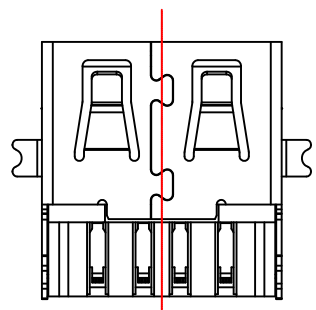
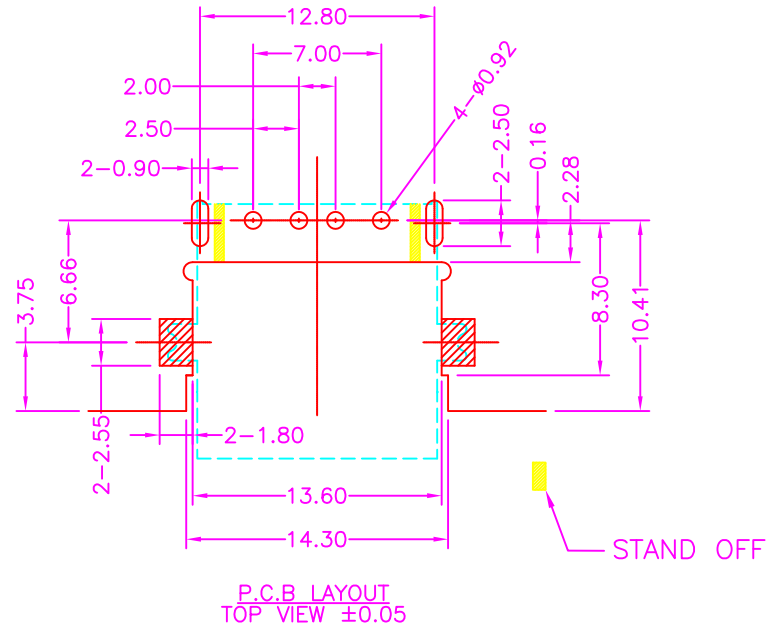
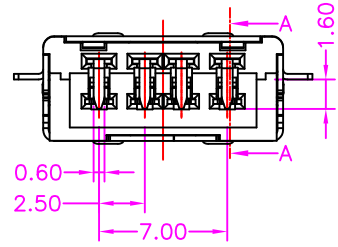
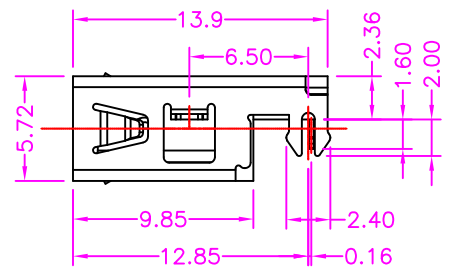
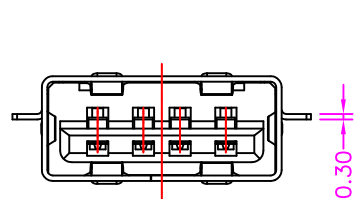


MATERIALS

HOUSING: LCP (UL 94V-0), BLACK  
 SHELL: COPPER ALLOY, NICKEL PLATING  
 TERMINAL: COPPER ALLOY, GOLD PLATED ON CONTACT AREA  
 TIN PLATING ON SOLDER TAIL

SPECIFICATION

CURRENT RATING: 1 AMP MAX  
 DIELECTRIC WITHSTANDING: 500V AC FOR ONE MINUTE  
 CONTACT RESISTANCE: 30m OHMS MAX  
 INSULATION RESISTANCE: 1000M OHMS MIN AT DC 500V  
 OPERATION TEMPERATURE: -25°C~+85°C

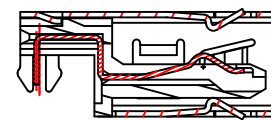


PART NUMBER:  
**2USAL - 0 4 \* T - 1 2 6**

SERIES — NO. OF POS. — TIN PLKATING ON SOLDER TAIL — TAPE REEL PACKAGE

CONTACT PLATED OPTION

- 1: GOLD FLASH
- 3: 3u" GOLD
- 5: 5u" GOLD
- 6: 10u" GOLD
- 7: 15u" GOLD
- 9: 30u" GOLD



SECTION A-A

A	RELEASE	2012.12.21
REV.	DESCRIPTION	DATE

**Cyberconn Technology Co., Ltd.**  
 www.cyberconn.com.tw Tel:+886-3-4951314

TOLERANCES	USB CONNECTOR SERIES					
X.X ±0.3	TITLE USB A TYPE, PCB MID MOUNT REVERSE TYPE R/A, METAL SHIELD, FEMALE					
X.XX ±0.2	DRAWN BY		CHECKED BY		APPROVED BY	
X.XXX±0.1	Janice		Lion		Benson	
Angle ±5°	UNIT	SCALE	SIZE	DRAW NO.	REV.	Sheet
	10001	MM	NONE	A4	2USAL-006	A 1/1